

MEAN GREEN

M O W E R S

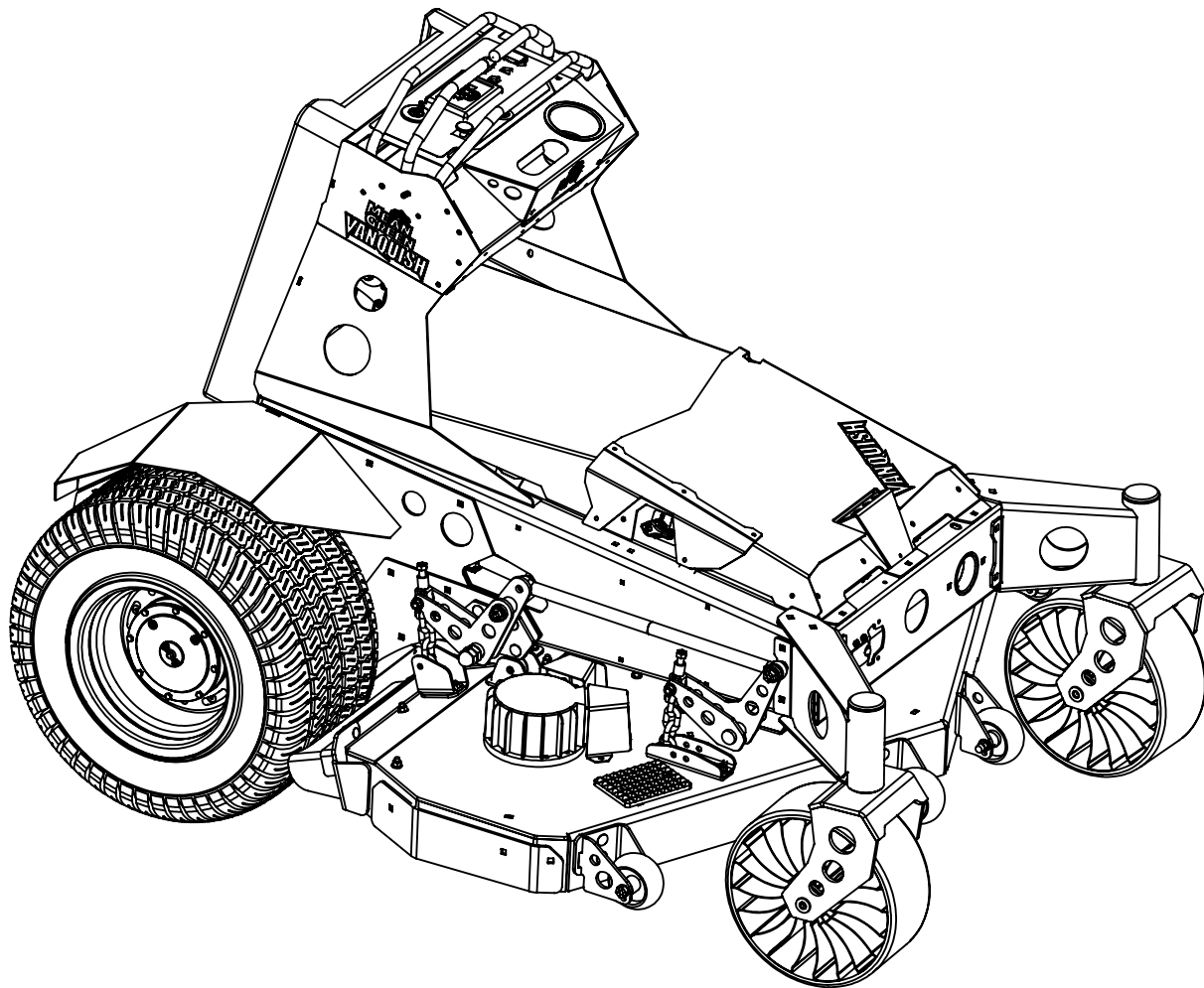
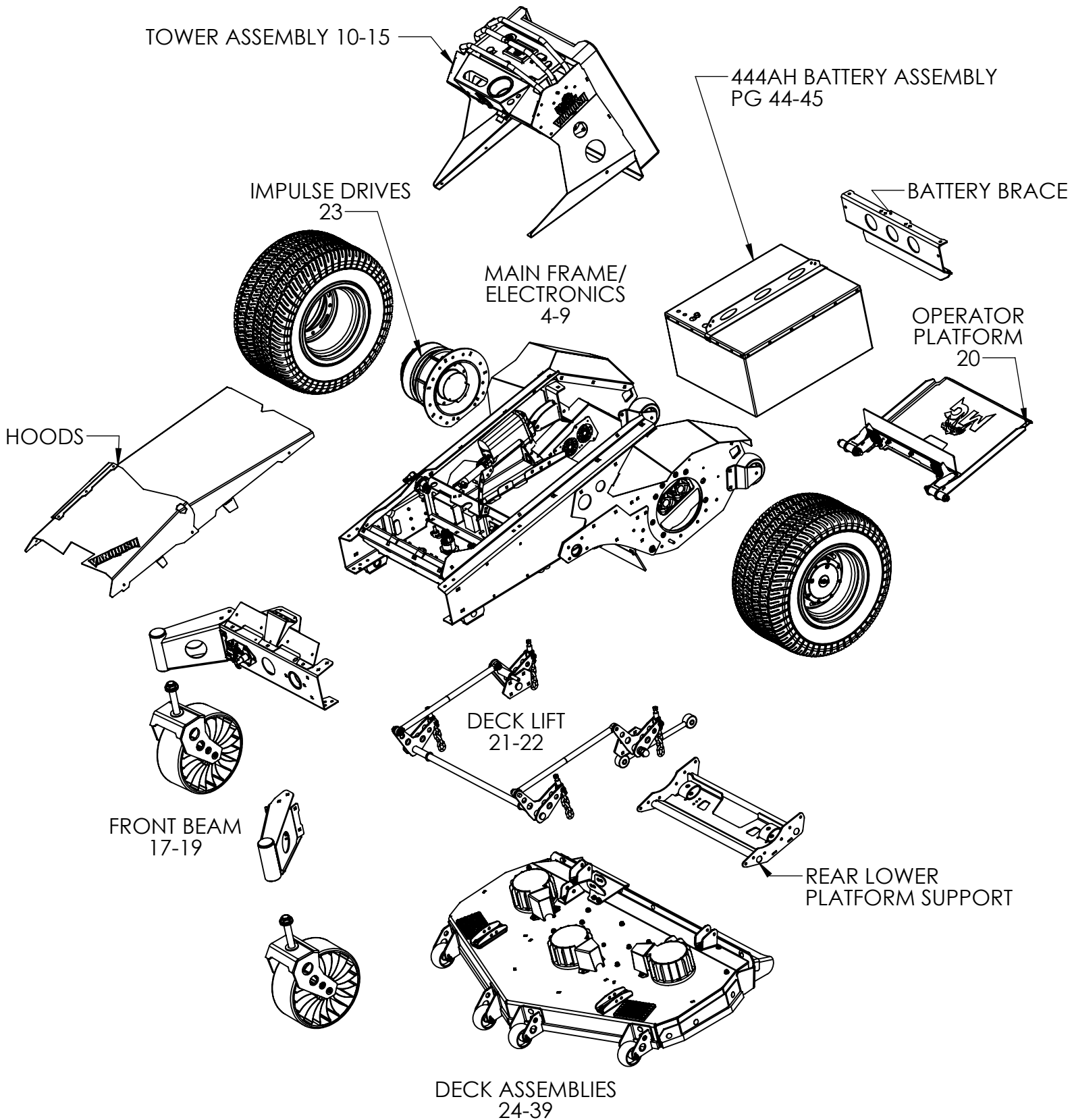
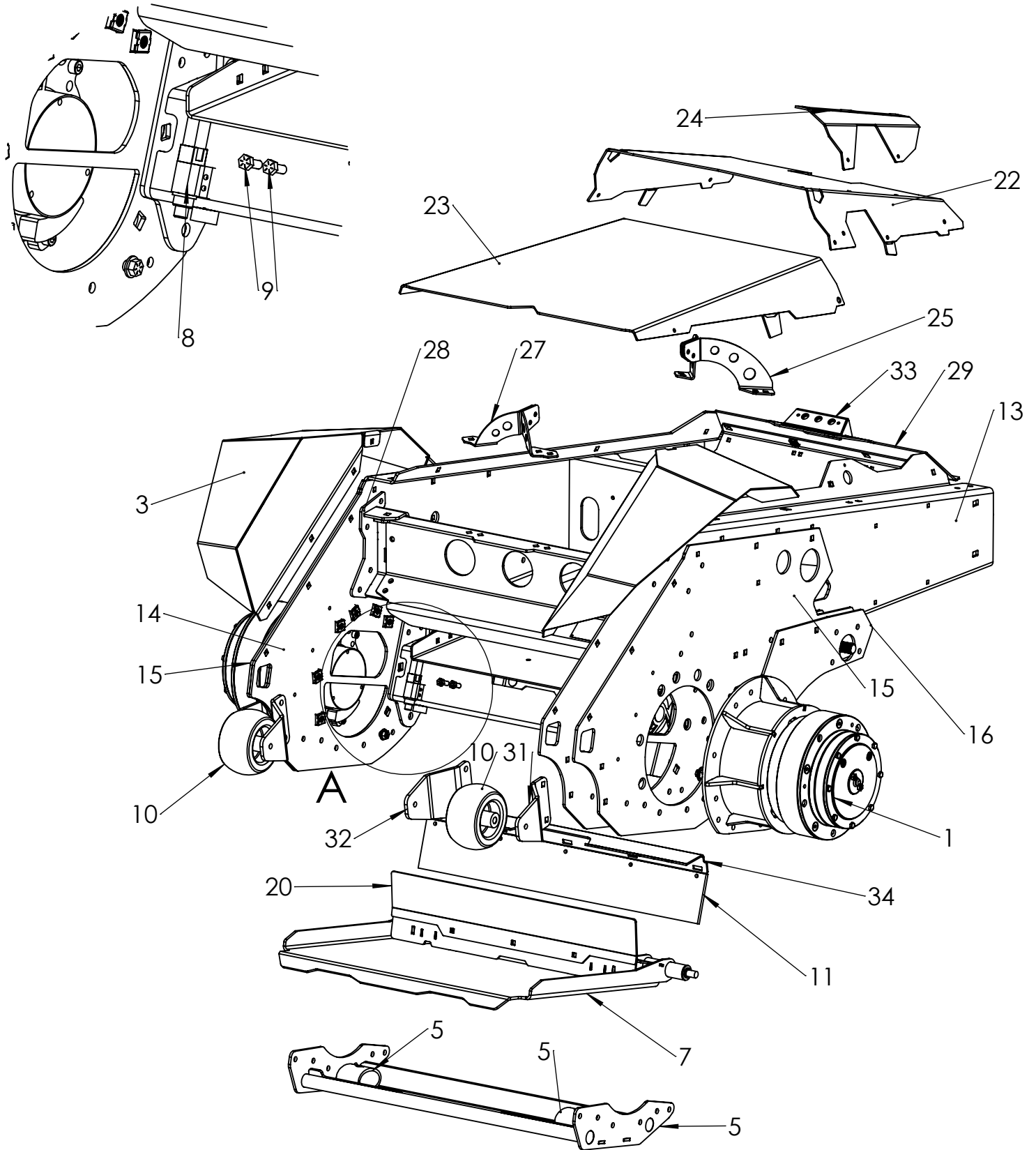
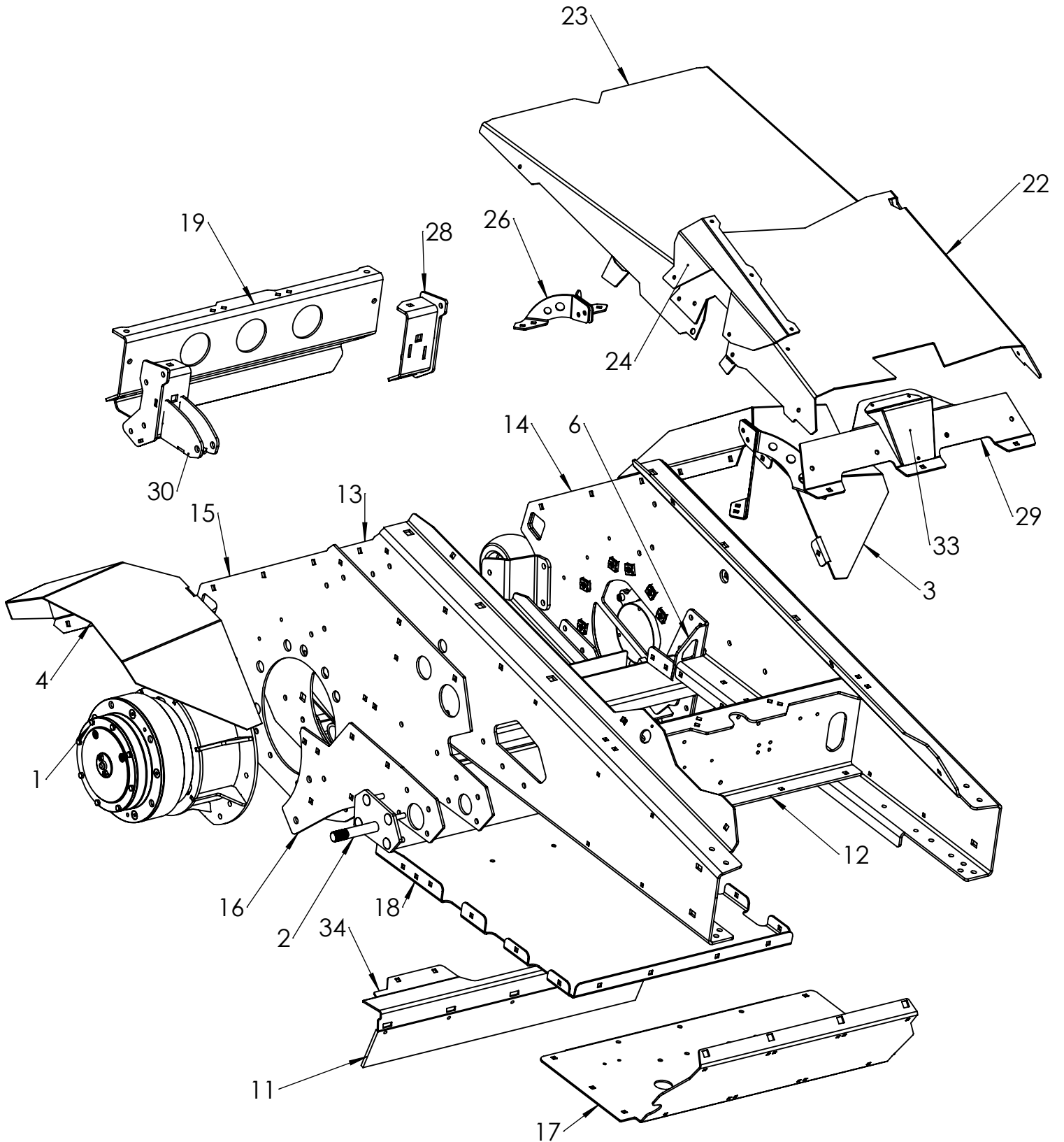


Table of Contents

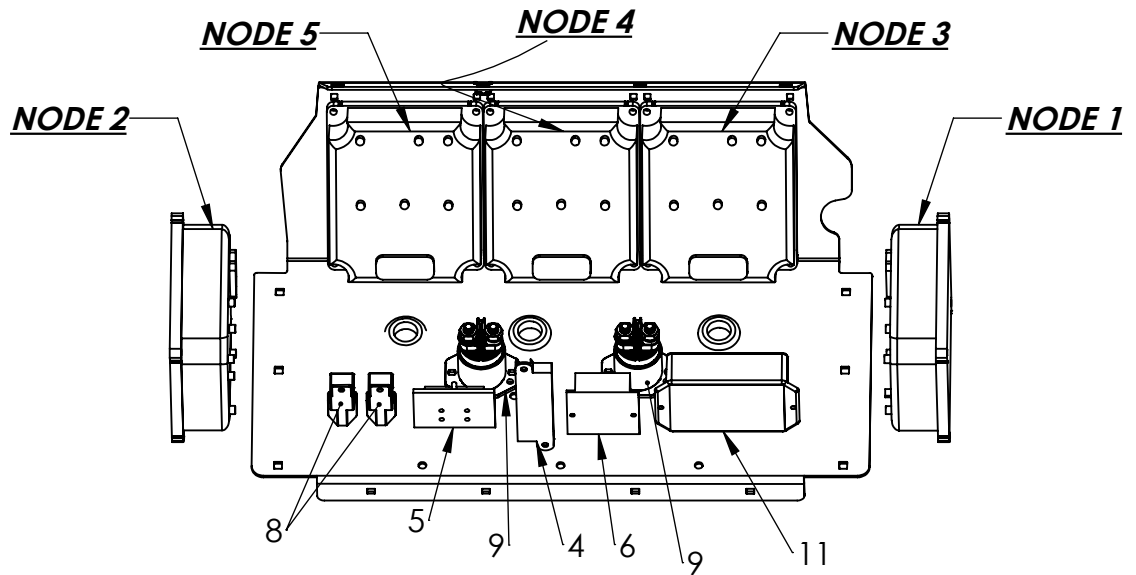
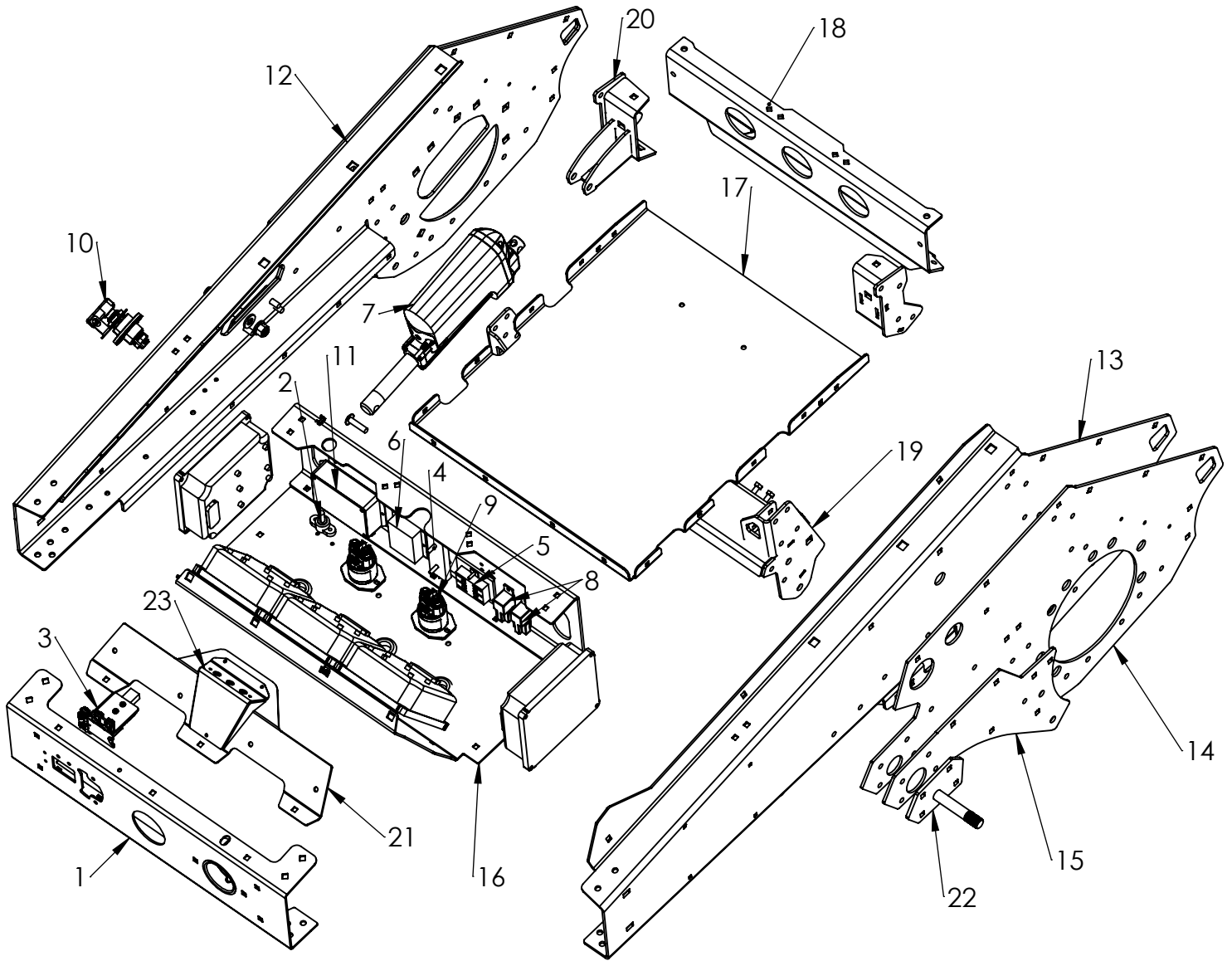
- **MAIN FRAME/ELECTRONICS.....4-9**
- **TOWER ASSEMBLY..... 10-15**
- **DRIVE FAN ASSEMBLY..... 16**
- **FRONT BEAM..... 17-19**
- **OPERATOR PLATFORM..... 20**
- **DECK LIFT.....21-22**
- **IMPULSE DRIVES.....23**
- **52RD DECK..... 24-27**
- **52SD DECK.....28-31**
- **60RD DECK.....32-35**
- **60SD DECK.....36-39**
- **ACCESSORIES.....40-41**
- **LEM 48444 BATTERY.....42-43**



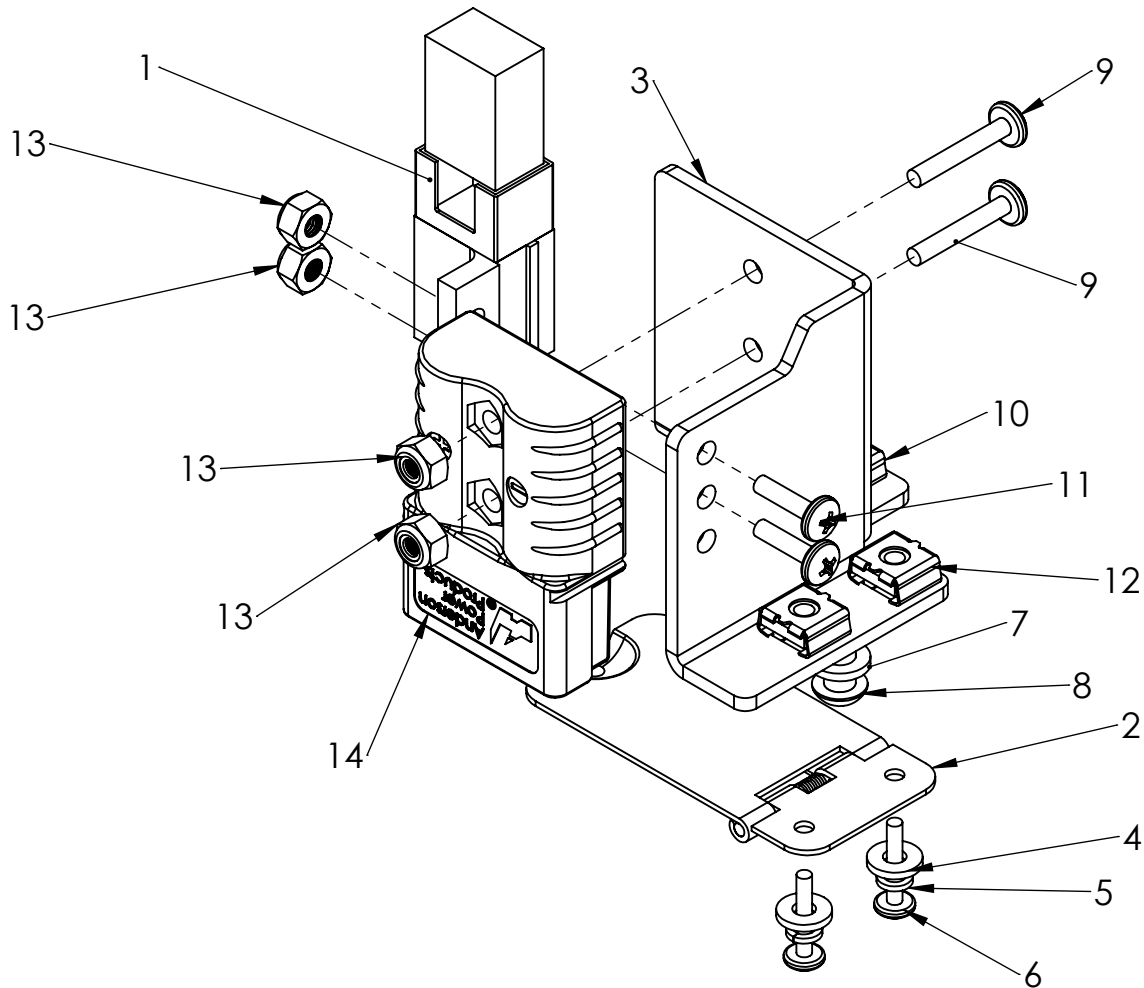




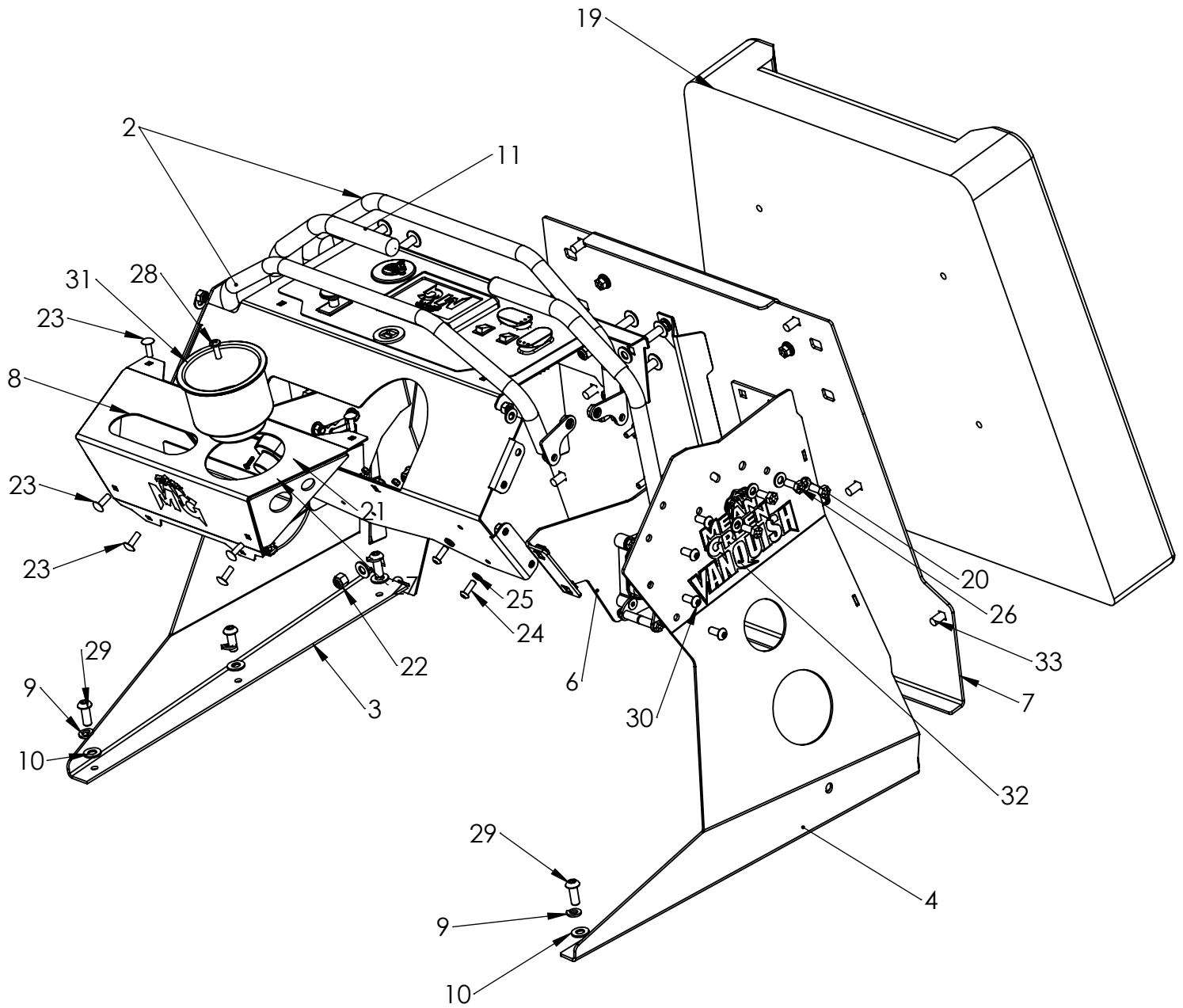
ITEM NO.	PART NUMBER	DESCRIPTION	QTY.
1	AMGUPN057	IMPULSE DRIVE SYSTEM	2
2	AMGVQS021	REAR DECK LIFT BOLT PLATE	1
3	AMGVQS08	LEFT SIDE FENDER	1
4	AMGVQS09	RIGHT SIDE FENDER	1
5	AMGVQS16	PLATFORM SUPPORT/BUMPER MOUNT	1
6	AMGVQS012	MID FRAME MOUNT TIE IN PLATE	1
7	AMGVQS15	FOOT PLATE	1
8	MGELC106	SAFETY PLUG IN SWITCH	1
9	MGHDW112	5/16-18X1-1/2 PT HHCS	4
10	MGUPN023	LARGE ANTI-SCALP WHEEL	2
11	MGUPN062	RD ROCK GAURD	1
12	MGVQS001	CENTER BULKHEAD	1
13	MGVQS002	FRAME RAIL-RIGHT SIDE	1
14	MGVQS003	LEFT SIDE FRAME RAIL	1
15	MGVQS004	FRAME RAIL DOUBLER PLATE	2
16	MGVQS005	FRAME RAIL TRIPLER PLATE	2
17	MGVQS011	FRONT ELC FLOOR PLATE	1
18	MGVQS012	BATTERY FLOOR PLATE	1
19	MGVQS015	BATTERY HOLD IN BEAM	1
20	MGVQS026	UPPER BOLT ON FOOT PLATE CROSS MEMBER GUARD	1
21	MGVQS028	FAN GAURD	2
22	MGVQS030	FRONT HOOD	1
23	MGVQS031	REAR HOOD	1
24	MGVQS032	HOOD ATTACHMENT/ON-OFF SWITCH COVER	1
25	MGVQS038	BATTERY MOUNT TAB FRONT	1
26	MGVQS038	BATTERY MOUNT TAB FRONT	1
27	MGVQS039	BATTERY MOUNTS REAR	2
28	MGVQS042	REAR SUPPORT BEAM BASE FLANGE	2
29	MGVQS043	FRONT BEAM/ELC PLATE TIE IN	1
30	MGVQS046	ACTUATOR REAR MOUNT TAB	1
31	MGVQS051	ANTI SCALP MOUNT	1
32	MGVQS052	INSIDE ANTI SCALP MOUNT	1
33	MGVQS064	DECK LIGHT HOUSING	1
34	MGVQS066	DUST COVER PLATE	1

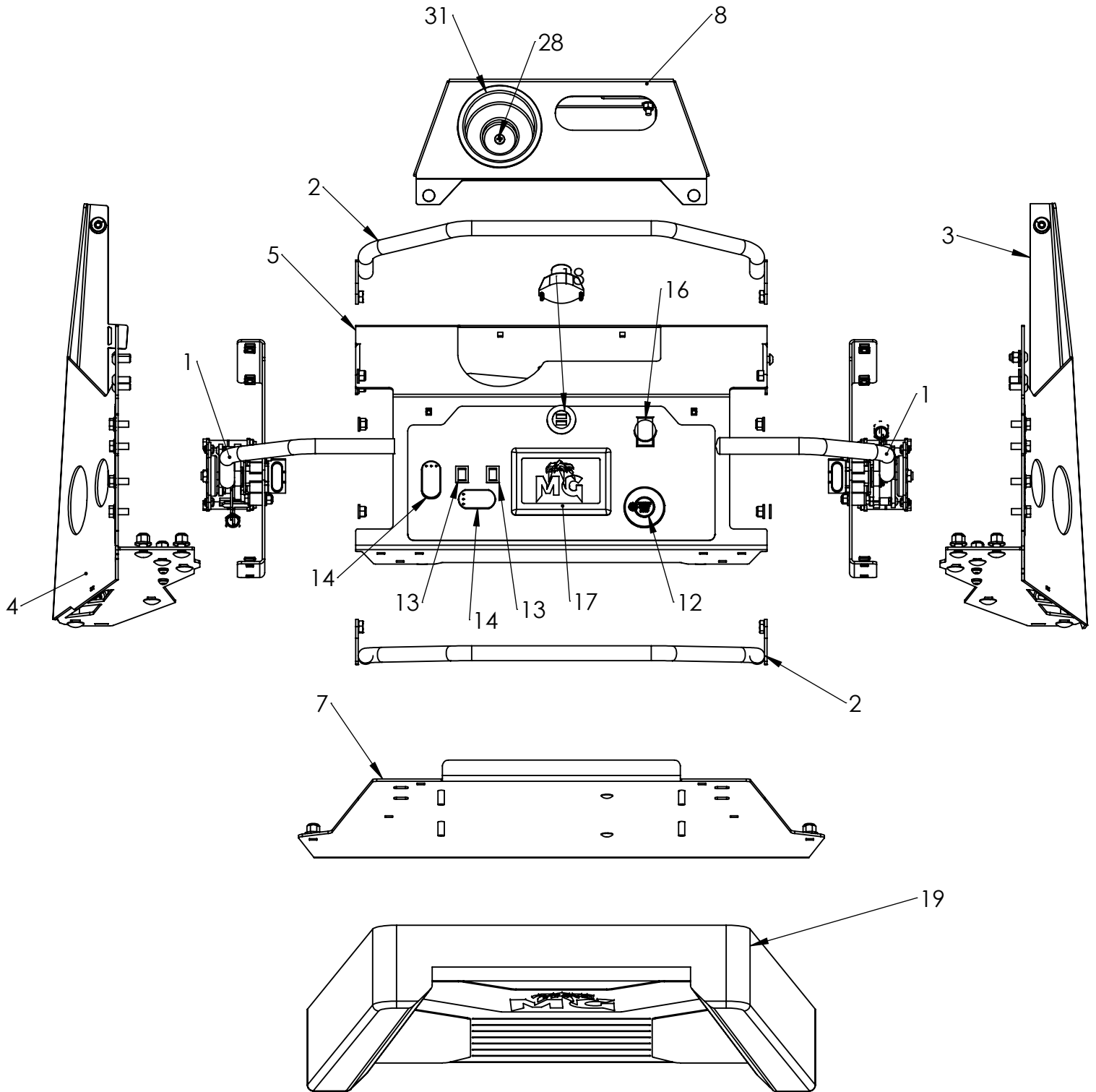


ITEM NO.	PART NUMBER	DESCRIPTION	QTY.
1	MGVQS008	FRONT BEAM-MAIN BODY	1
2	MGELC011	NEGATIVE GROUND LUG	1
3	MGDWG011	CHARGE PORT ASSEMBLY	1
4	MGELC003,	MAIN FUSE	1
5	MGELC040	ATC FUSE PANEL	1
6	MGELC047	12V CONVERTER	1
7	MGELC059-1	4IN ACTUATOR	1
8	MGELC104	48V 40A RELAY	2
9	MGELC105	48V RELAY	2
10	MGELC115	ON/OFF BATTERY SWITCH	1
11	MGELC118-2	DECK ADJ. CONTROL BOX	1
12	MGVQS002	FRAME RAIL-RIGHT SIDE	1
13	MGVQS003	LEFT SIDE FRAME RAIL	1
14	MGVQS004	FRAME RAIL DOUBLER PLATE	2
15	MGVQS005	FRAME RAIL TRIPLER PLATE	2
16	MGVQS011	FRONT ELC FLOOR PLATE	1
17	MGVQS012	BATTERY FLOOR PLATE	1
18	MGVQS015	BATTERY HOLD IN BEAM	1
19	AMGVQS012	MID FRAME MOUNT TIE IN PLATE	1
20	MGVQS042	REAR SUPPORT BEAM BASE FLANGE	2
21	MGVQS043	FRONT BEAM/ELC PLATE TIE IN	1
22	MGVQS050	REAR DECK LINK STABILIZER	2
23	MGVQS064	DECK LIGHT HOUSING	1

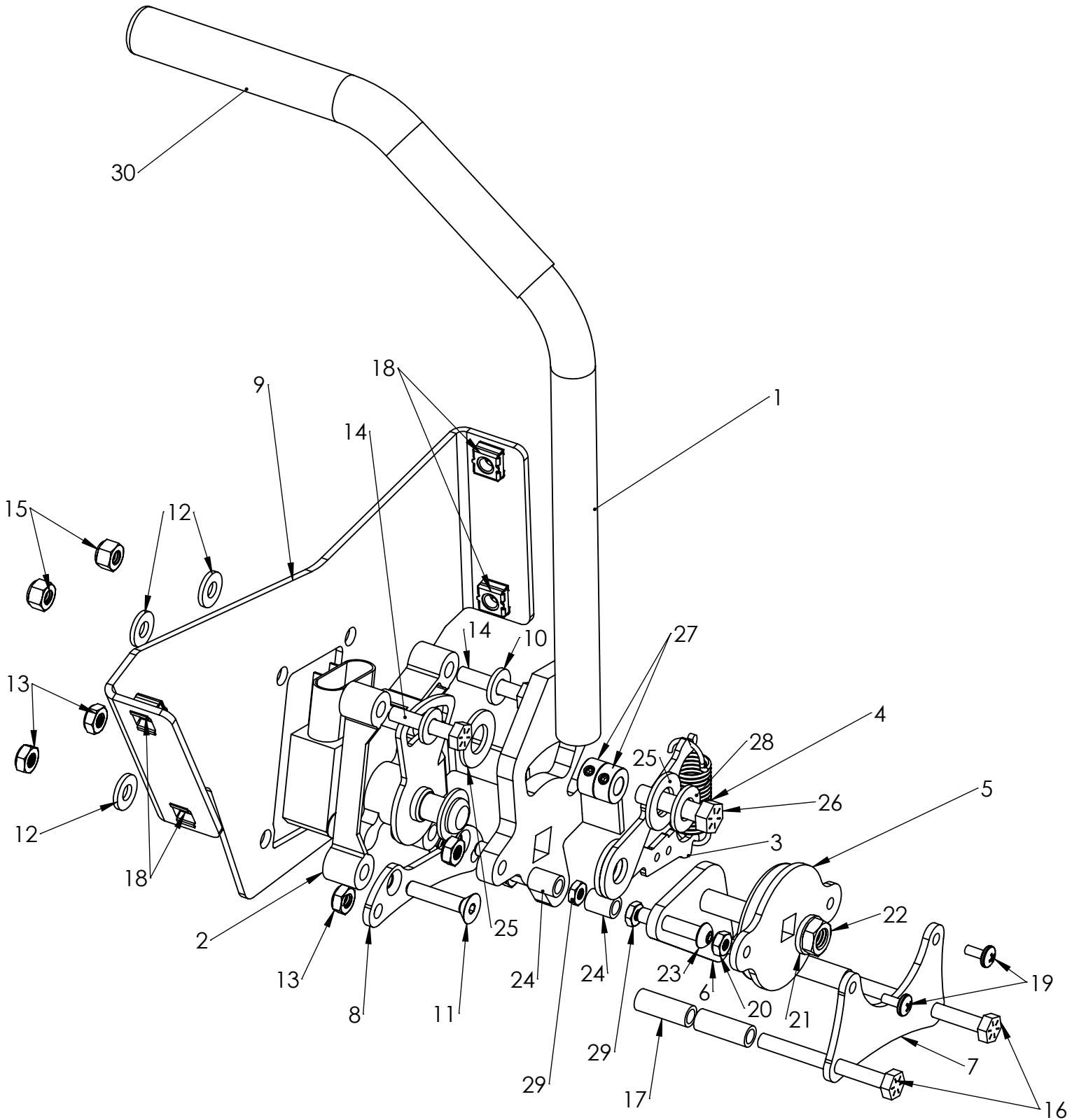


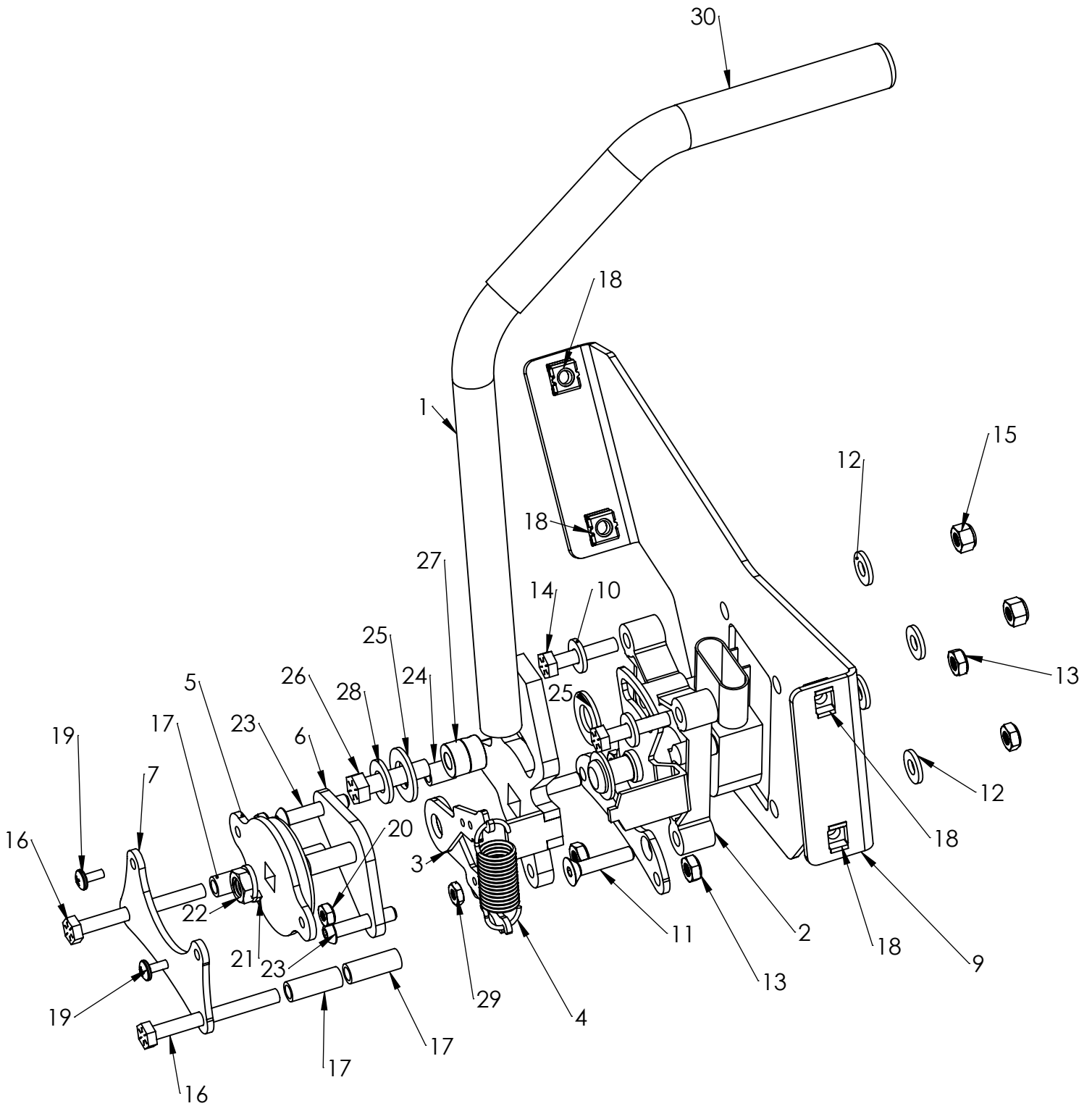
ITEM NO.	PART NUMBER	QTY.	DESCRIPTION
1	MGELC106	1	SAFETY PLUG IN SWITCH
2	MGUPN034	1	CHARGE PORT COVER
3	MGMUP024	1	CHARGING PORT BRACKET
4	MGHDW218	1	#8 FLAT WASHER
5	MGHDW206	1	#8 LOCK WASHER
6	MGHDW502	1	#8-32x3/4 PHP
7	MGHDW213	2	1/4 LOCK WASHER
8	MGHDW605	2	1/4-20x3/4 BSCS
9	MGHDW503	2	#10-32x1.00 PAN HEAD PHILIPS
10	MGHDW315	1	1/4-20x0.093-0.126 CAGE NUT
11	MGHDW506	1	#10-32x5/8 PAN HEAD PHILIPS
12	MGHDW309	1	#8-32x0.93-0.126 CAGE NUT
13	MGHDW308	4	#10-32 NYLOCK
14	MGELC032	1	ANDERSON CONNECTOR-SB120



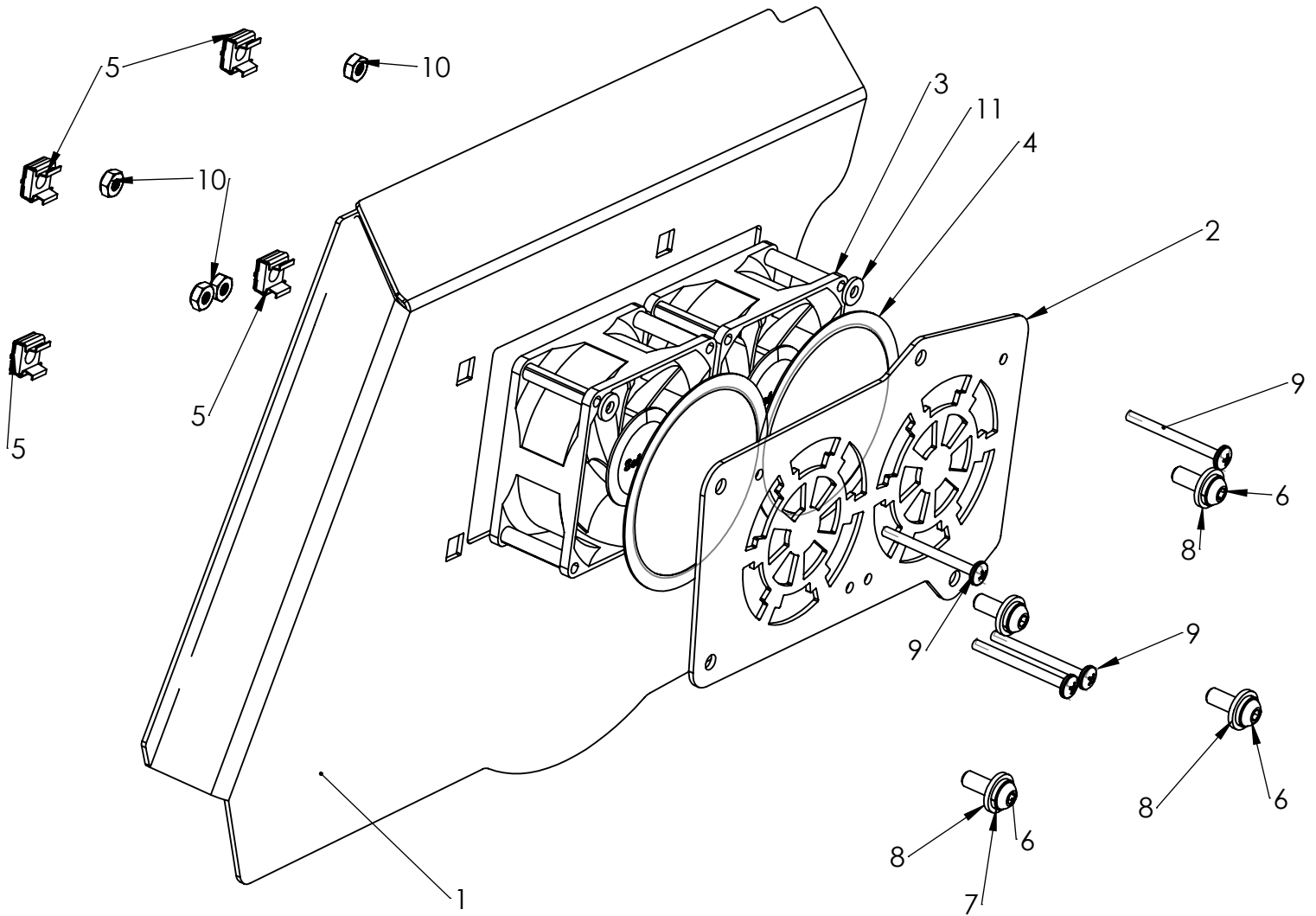


ITEM NO.	PART NUMBER	DESCRIPTION	QTY.
1	AMGVQS005/AMGVQS006	VANQUISH HANDLEBARS L-R	2
2	AMGVQS007/AMGVQS008	HANDLE BAR F/B	2
3	AMGVQS02	RIGHT SIDE TOWER	1
4	AMGVQS03	LEFT SIDE TOWER	1
5	MGVQS013	CONTROL PANEL MAIN	1
6	MGVQS048	CONTROL MOUNT PLATE	1
7	MGVQS053	SEAT CUSHION BACKING PLATE	1
8	MGVQS068	TOWER ACCESSORY PANEL	1
9	MGHDW204	3/8 LOCK WASHER	8
10	MGHDW414	3/8 FLAT WASHER	14
11	MGUPN273	HANDLE BAR GRIP	2
12	MGELC116	PUSH BUTTON ON/OFF	1
13	MGELC006	H/L ON/OFF MINI ROCKER SWITCH	2
14	MGELC071	ROCKER SWITCH	2
15	MGUPN047	HYDRO GEAR SPRING	2
16	MGELC009	PTO SWITCH	1
17	MGELC117	TOUCH SCREEN DISPLAY	1
18	MGELC038	USB PORT	1
19	MGUPN476	VANQUISH KNEE PAD	1
20	MGHDW201	5/16 FLAT WASHER	23
21	MGELC131-02	FENIEX CANNON	1
22	MGHDW305	3/8-16 NYLOCK	6
23	MGHDW700	1/4-20x0.75 CB	8
24	MGHDW605	1/4-20x3/4 BSCS	8
25	MGHDW213	1/4 LOCK WASHER	8
26	MGHDW109	5/16-18X3/4 FT HHCS	8
27	MGHDW515	6-32X1/2 PHP	2
28	MGHDW507	1/4-20X0.75 PHP	1
29	MGHDW602	3/8-16X1.0 BSCS	6
30	MGHDW616	.3125-18X .75 BH	8
31	MGUPN043	CUP HOLDER	1
32	MGUPN473-1	VANQUISH TOWER DECAL	2
33	MGHDW702	3/8-16x0.75 CB	6

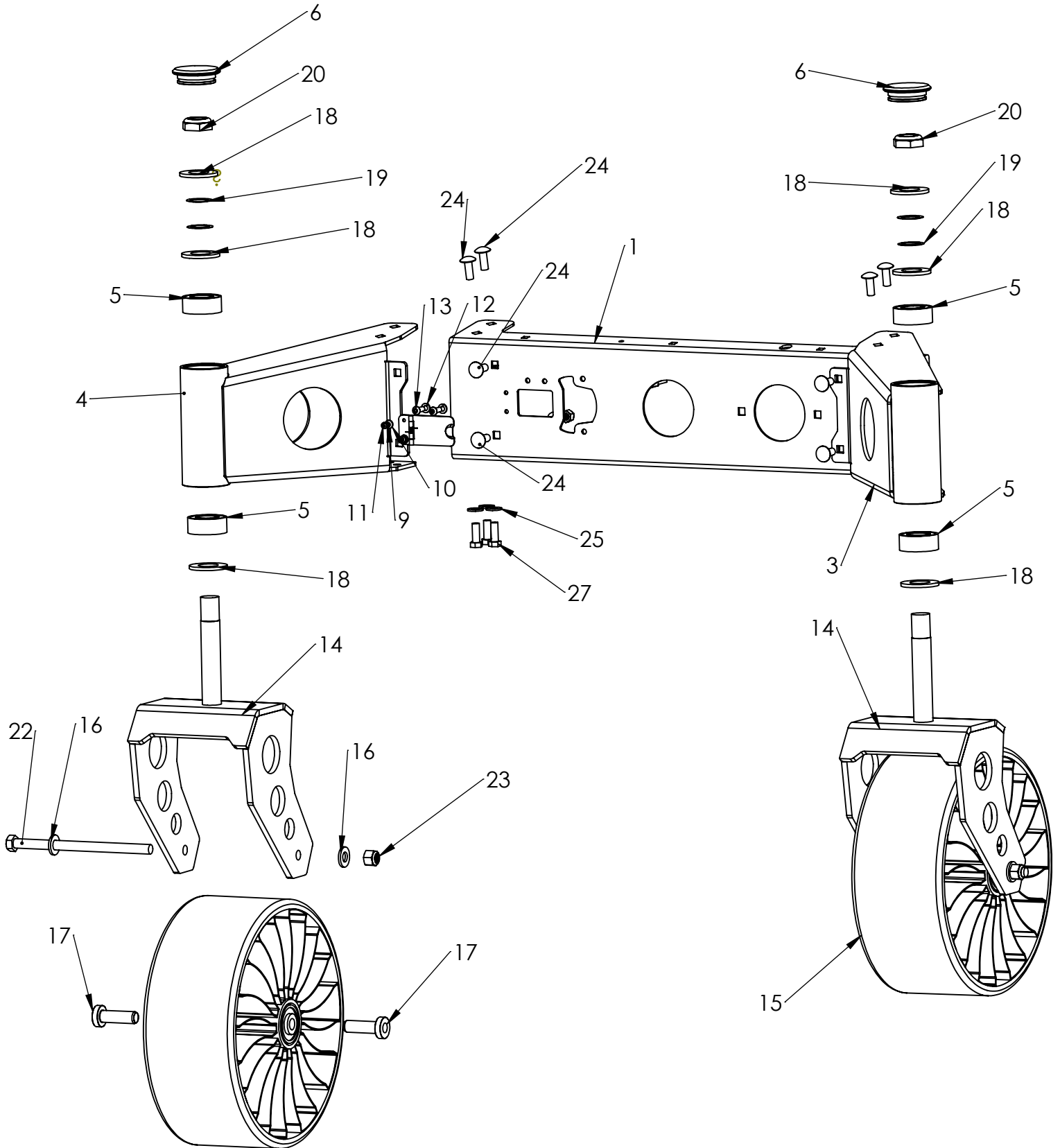


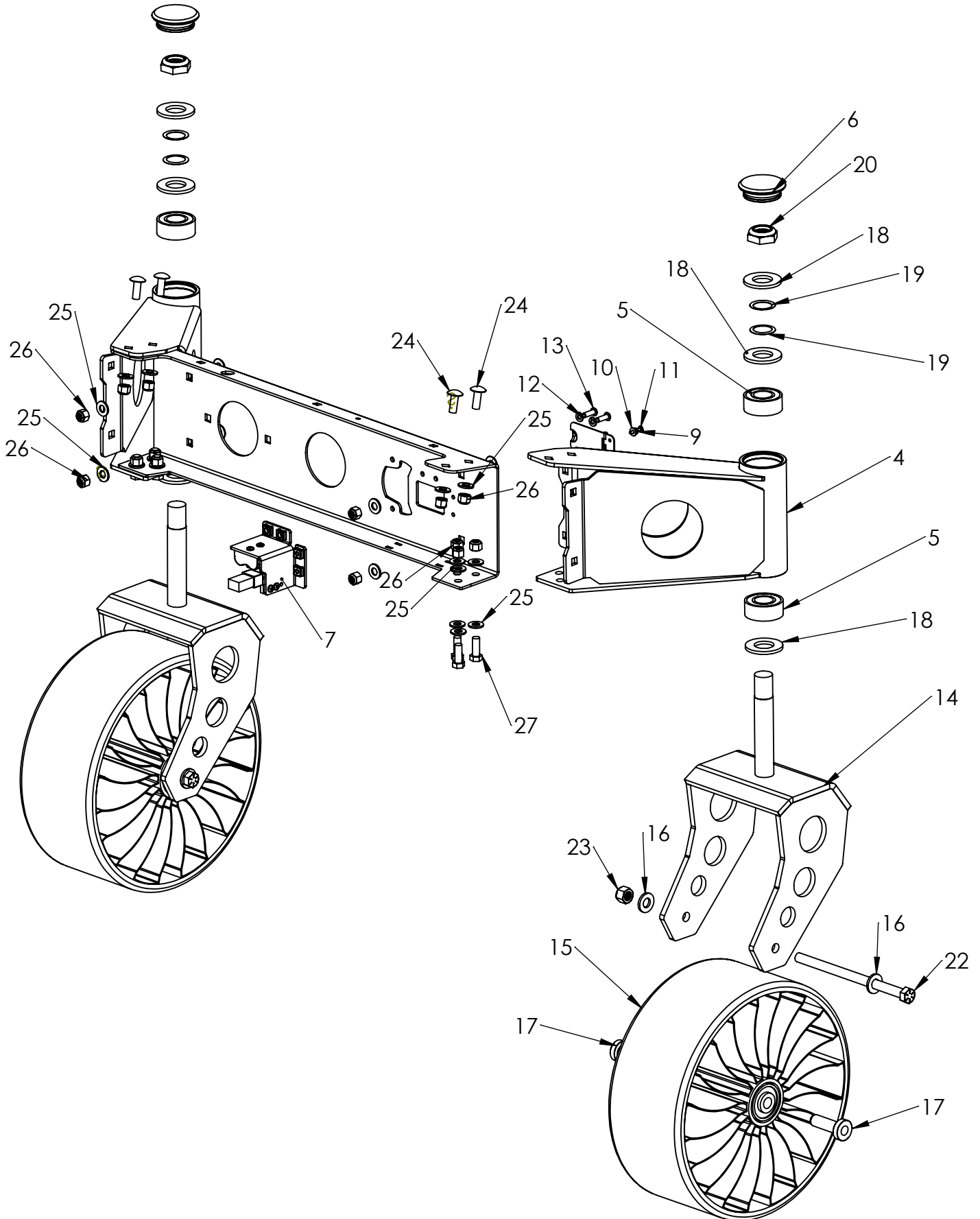


ITEM NO.	PART NUMBER	DESCRIPTION	QTY.
1	AMGVQS005/AMGVQS006	CONTROL HANDLE BARS R/L	1
2	MGELC068	RTN-LEFT HAND SIDE(2019)	1
3	MGUPN046	HYDRO GEAR SPRING ARM	2
4	MGUPN047	HYDRO GEAR SPRING	1
5	MGUPN231	DISC DAMPENER	1
6	MGSTK058	DAMP CONT PLATE	1
7	MGSTK057	DAMP MAIN BASE	1
8	MGMUP003	DAMPER MOUNT BASE	1
9	MGVQS048	CONTROL MOUNT PLATE	1
10	MGHDW200-1	1/4 FLAT WASHER GR5	2
11	MGHDW103	1/4 HEX CAP SCREW FLUSH MOUNT	2
12	MGHDW200	1/4 FLAT WASHER	4
13	MGHDW301	1/4-20 HALF NYLOCK	6
14	MGHDW103	1/4-20X1-1/4 PT HHCS	2
15	MGHDW303	1/4-20 NYLOCK	2
16	MGHDW108	1/4-20X2-1/2 PT HHCS, GR8 YZP	2
17	MGHDW406	1/4 ID X 3/8 OD X 1 L	4
18	MGHDW315	1/4-20X0.093-0.126 CAGE NUT	4
19	MGHDW500-1	#10-32 X 3/8	2
20	MGHDW311	#10-32 HALF NYLOCK	2
21	MGHDW204	3/8 LOCK WASHER	1
22	MGHDW316	3/8-16 SHORT	1
23	MGHDW601-1	1/4-20 x 1-1/4 BHSCS	2
24	MGHDW405	0.375 X 0.25 X 0.50 SPACER	2
25	MGHDW211	1/2X1.00X0.08 NYLON WASHER	2
26	MGHDW111	5/16-18X1-1/4 FT HHCS	1
27	MGHDW400	5/16X5/8 SHAFT COLLAR	2
28	MGHDW414	3/8 FLAT WASHER	1
29	MGHDDW311	10-32 JAM NUT	2
30	MGUPNB273	HANDLE BAR GRIP	1

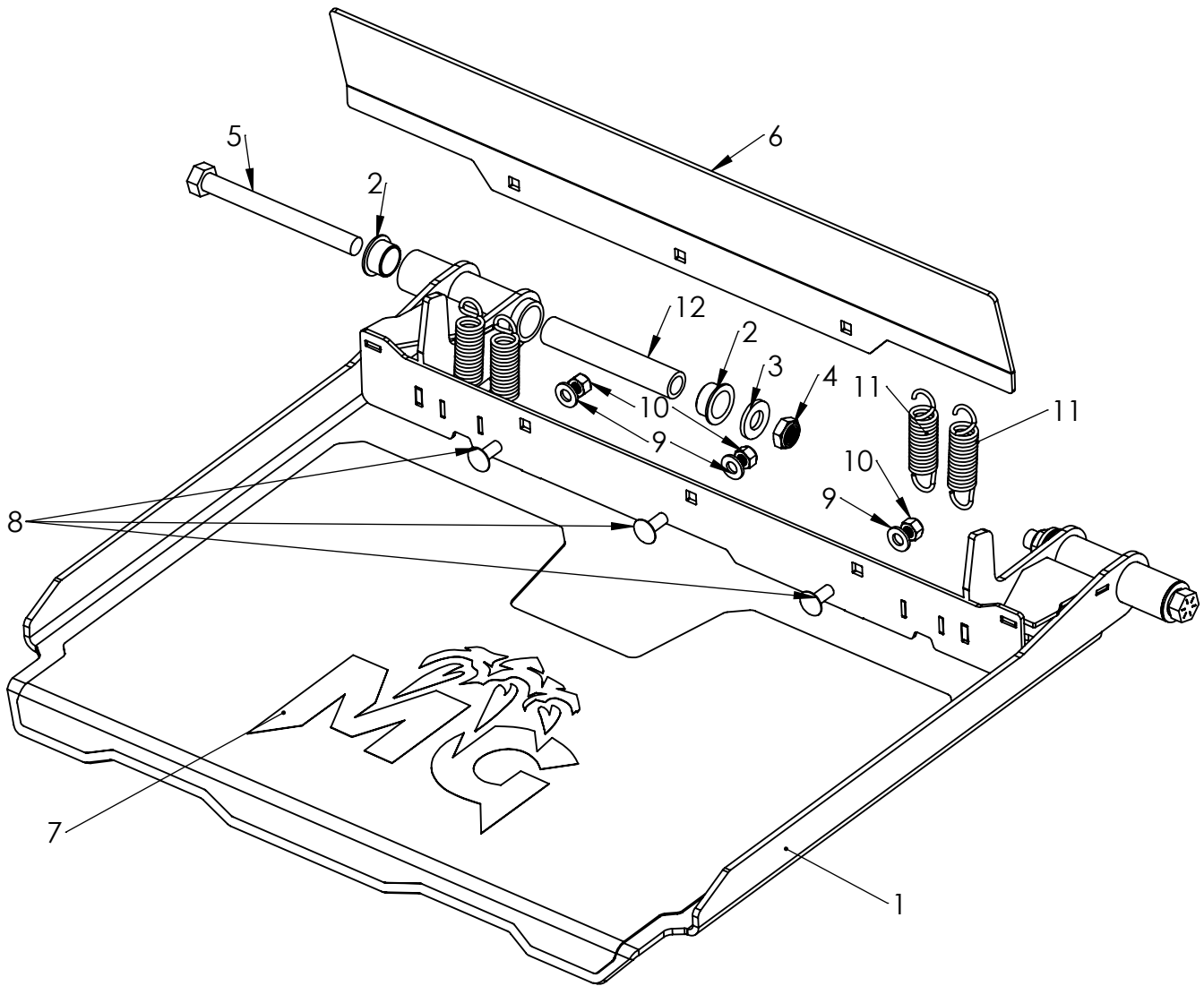


ITEM NO.	PART NUMBER	DESCRIPTION	QTY.
1	MGVQS027	AIR BOX INTAKE (UPPER)	1
2	MGVQS028	FAN GAURD	1
3	MGELC114	48V COOLING FAN	2
4	MGUPN474	3.5 OD FROGZSKIN	2
5	MGHDW315	1/4-20X0.093-0.126 CAGE NUT	7
6	MGHDW605	1/4-20X3/4 BSCS	4
7	MGHDW213	1/4 LOCK WASHER	4
8	MGHDW200	1/4 FLAT WASHER	4
9	MGHDW504-2	10/32 X 1.75	4
10	MGHDW311	#10-32 HALF NYLOCK	4
11	MGHDW218	#8 FLAT WASHER	4

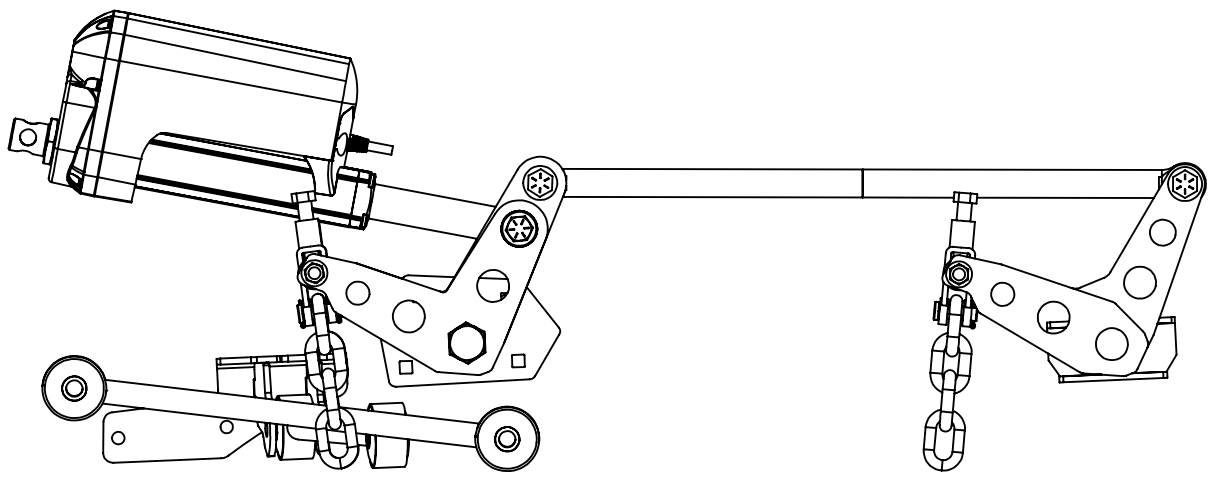
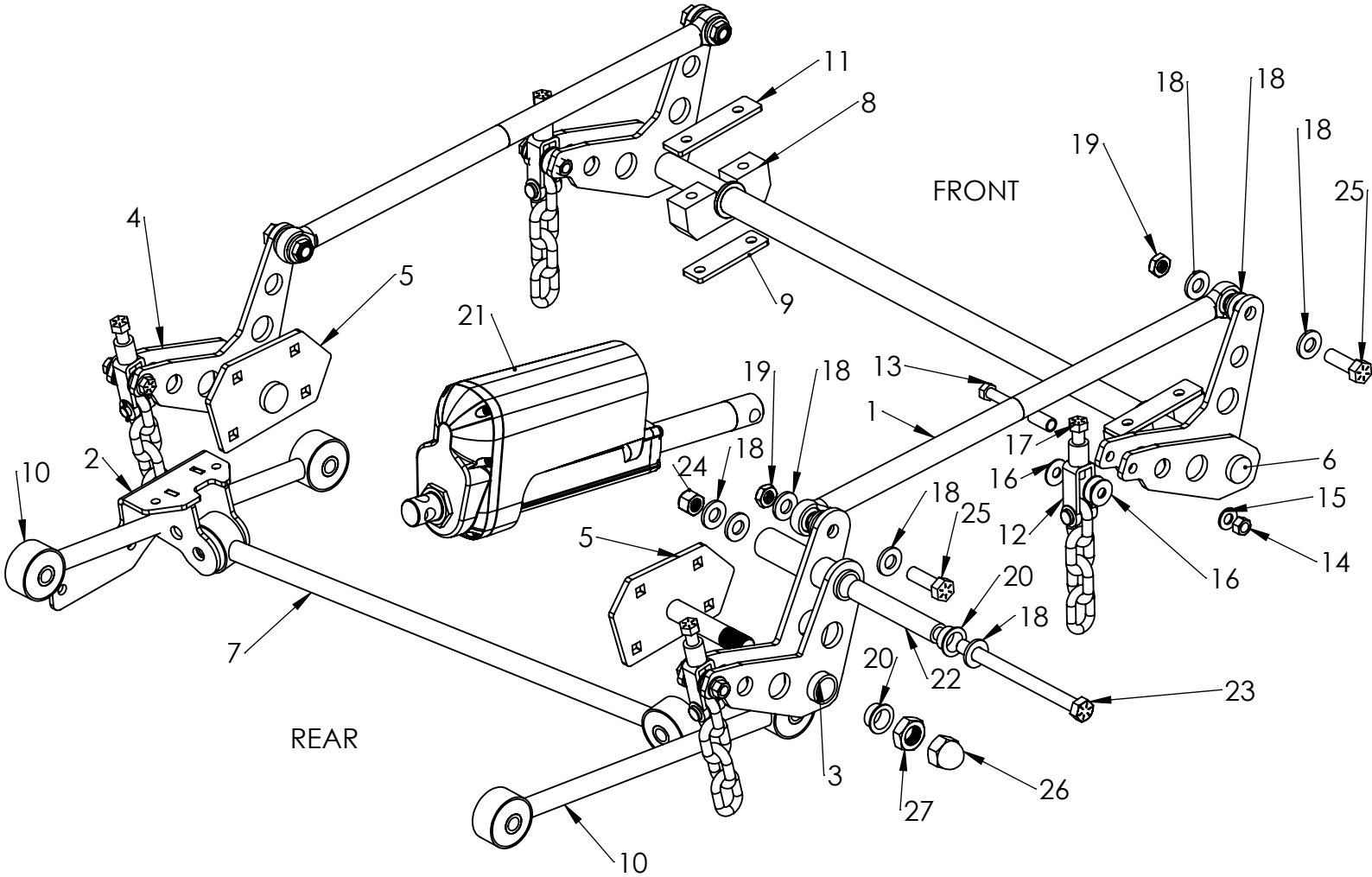




ITEM NO.	PART NUMBER	DESCRIPTION	QTY.
1	MGVQS008	FRONT BEAM-MAIN BODY	1
2	AMGVQS22	BOLT ON BEAM WING R	1
3	AMGVQS23	BOLT ON BEAM WING L	1
4	MGUPN288	SPINDLE HOUSING	2
5	MGUPN386	MAIN SPINDLE BEARING	4
6	MGUPN090	PLASTIC SPINDLE CAP	2
7	MGMUP024	CHARGING PORT BRACKET	1
8	MGUPN034	CHARGE PORT COVER	1
9	MGHDW206	#8 LOCK WASHER	1
10	MGHDW218	#8 FLAT WASHER	1
11	MGHDW502	#8-32X3/4 PHP	1
12	MGHDW213	1/4 LOCK WASHER	2
13	MGHDW605	1/4-20X3/4 BSCS	2
14	AMGEVO18	YOKE WELDMENT	2
15	MGUPN153	13X5-3/4 FRONT TWEEL	2
16	MGHDW210	1/2 FLAT WASHER	4
17	MGUPN128	5/16" YOKE SPACER	4
18	MGHDW209	1.00 FLAT WASHER	6
19	MGHDW229	1" SPRING WASHER	4
20	MGHDW313	1.00-8 HNL	2
21	MGHDW180	1-8 X 7-1/2	2
22	MGHDW167	1/2-13X8.00 PT HHCS	2
23	MGHDW320	1/2-13 NYLOCK	2
24	MGHDW703	3/8-16X1.00 CB	8
25	MGHDW414	3/8 FLAT WASHER	20
26	MGHDW305	3/8-16 NYLOCK	14
27	MGHDW120	3/8-16X1.00 FT HHCS	6



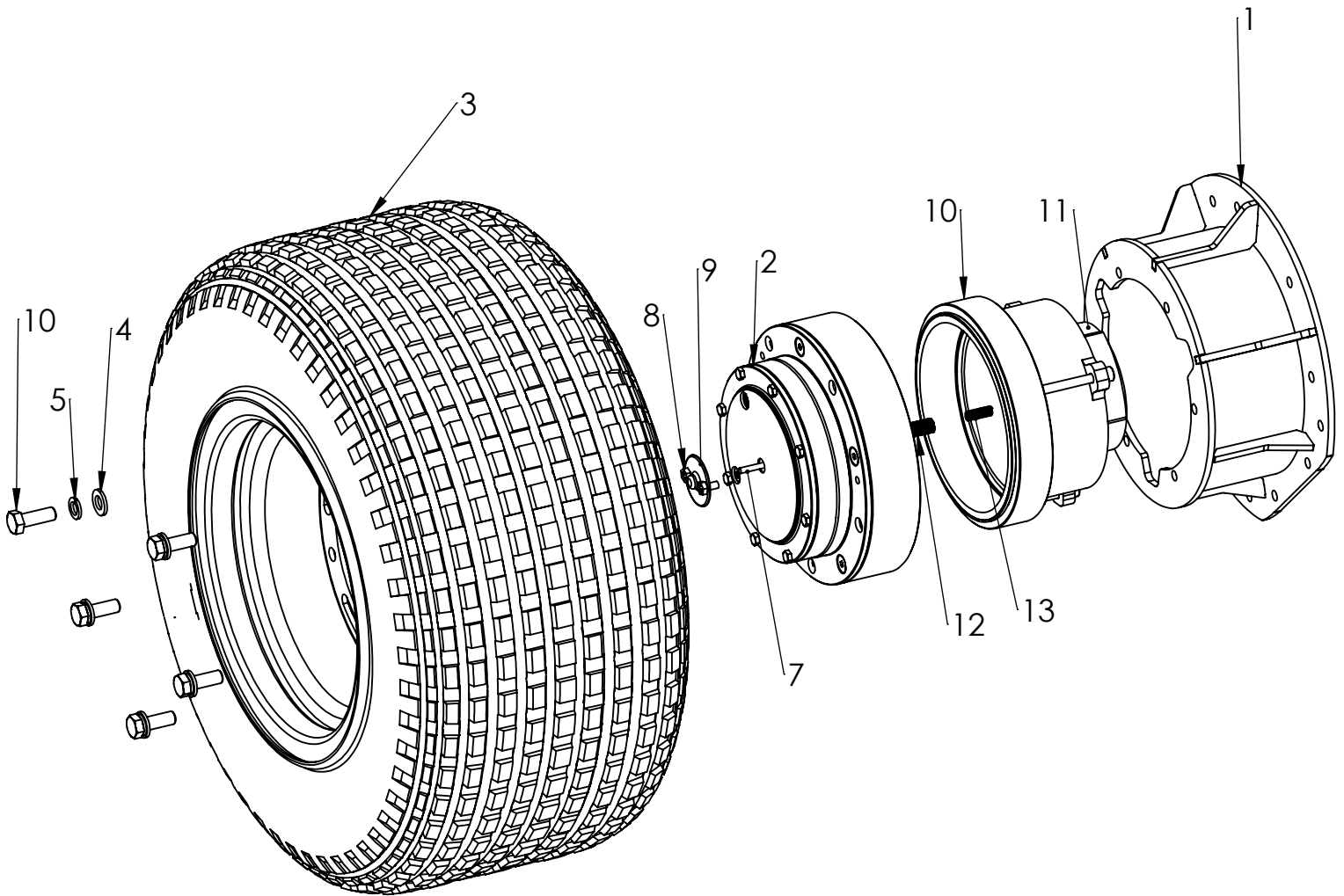
ITEM NO.	PART NUMBER	DESCRIPTION	QTY.
1	AMGVQS15	FOOT PLATE	1
2	MGHDW411	.75ID .875OD BUSHING	4
3	MGHDW210	1/2 FLAT WASHER	2
4	MGHDW314	1/2-13 HALF NYLOCK	2
5	MGHDW154	1/2-13X5.00 PT HHCS, GR8 YZP	2
6	MGVQS026	UPPER BOLT ON FOOT PLATE CROSS MEMBER GUARD	1
7	MGUPN498	VANQUISH ANTI SKID PAD	1
8	MGHDW109	5/16-18X3/4 CB	3
9	MGHDW201	5/16 FLAT WASHER	3
10	MGHDW304	5/16-18 NYLOCK	3
11	MGUPN477	HEAVY DUTY TENSION SPRING	4
12	MGUPN495	VQS FOOTPLATE SPANNER TUBE	2



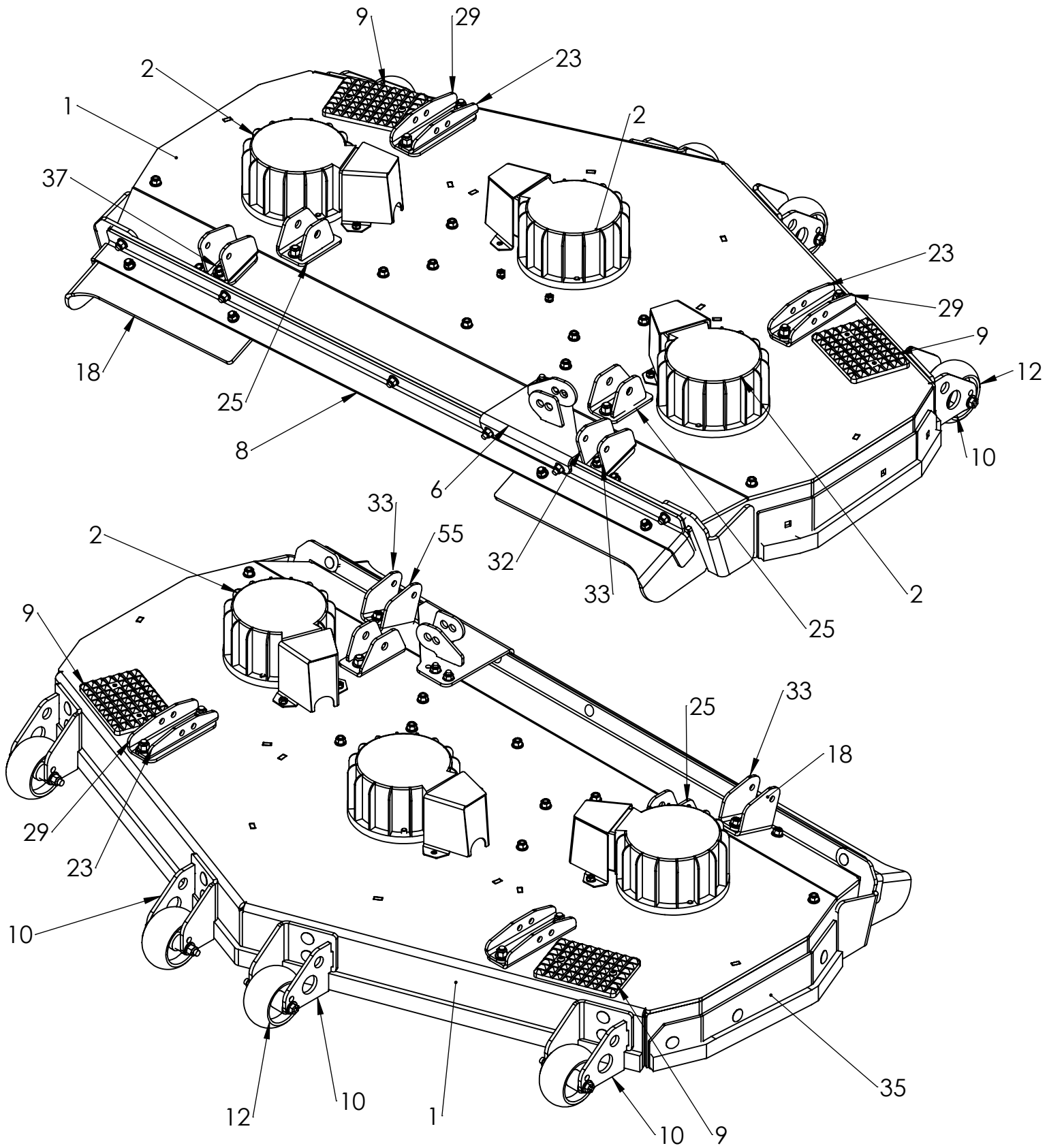


DECK MOUNTING ASSEMBLY

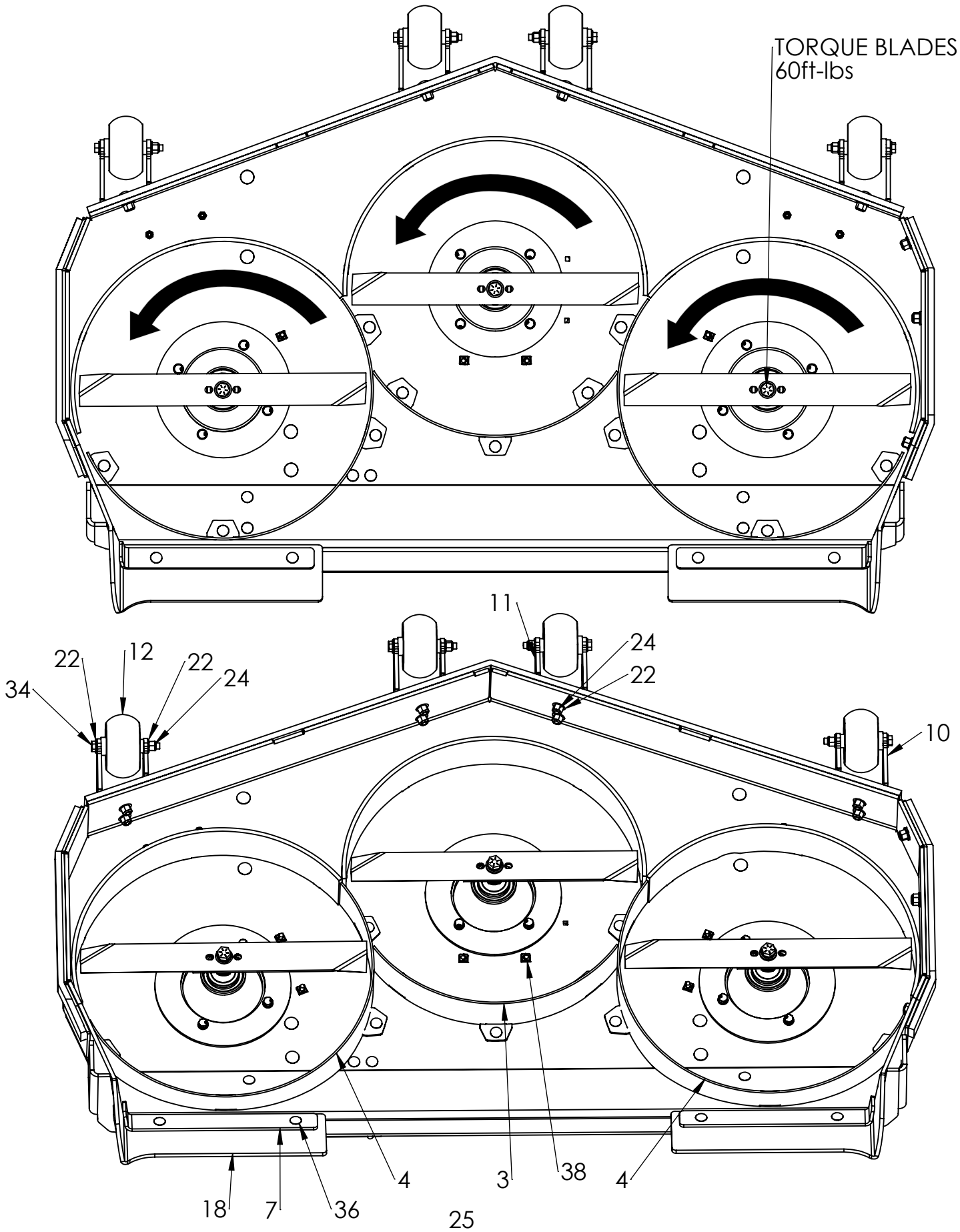
ITEM NO.	PART NUMBER	DESCRIPTION	QTY.
1	AMGRVL012	VQS / RIVAL STABILIZER BAR	4
2	AMGVQS18	FRAME MOUNT DECK CROSS STABILIZER	1
3	AMGVQS19	ACTUATOR SIDE REAR DECK LIFT ARM	2
4	AMGVQS20	NON ACTUATOR SIDE REAR DECK LIFT ARM	1
5	AMGVQS21	REAR DECK LIFT BOLT PLATE	2
6	AMGVQS28	VQS LIFT ARM BAR WELDMENT	1
7	MGUPN125	STABILIZER ARM-22"	1
8	MGUPN086	PLASTIC PILLOW BLOCK-1" LIFT ARM	2
9	MGMUP031	PILLOW BLOCK SPACER-TOP	2
10	MGUPN124	STABILIZER ARM-13-5/8	2
11	MGRVL072	REAR PILLOW BLOCK SPACER	2
12	MGUPN123	7/16"-20 THREAD, 2-7/8" SHANK CENTER LENGTH	4
13	MGHDW125	3/8-16X2.00 PT HHCS, GR8 YZP	4
14	MGHDW305	3/8-16 NL YZ	4
15	MGHDW414	3/8 FLAT WASHER	8
16	MGHDW203	3/8 X 1 OD NYLON WASHER	12
17	MGHDW139	7/16-14X2.00 PT HHCS, GR8 YZP	4
18	MGHDW210	1/2 FLAT WASHER	15
19	MGHDW314	1/2-13 HALF NYLOCK	4
20	MGHDW411	3/4 ID X 7/8 OD X 1/2 L	4
21	MGELC059	LA36 ACTUATOR-4" STROKE	1
22	MGUPN494	ACTUATOR SPANNER	1
23	MGHDW174	1/2-13 X 6-1/2	1
24	MGHDW320	1/2-13 NYLOCK	1
25	MGHDW143	1/2-13X1-1/2 FT HHCS, GR8 YZP	4
26	MGHDW350	3/4 ACORN NUT	2
27	MGHDW351	3/4 - 16 JAM NUT	2

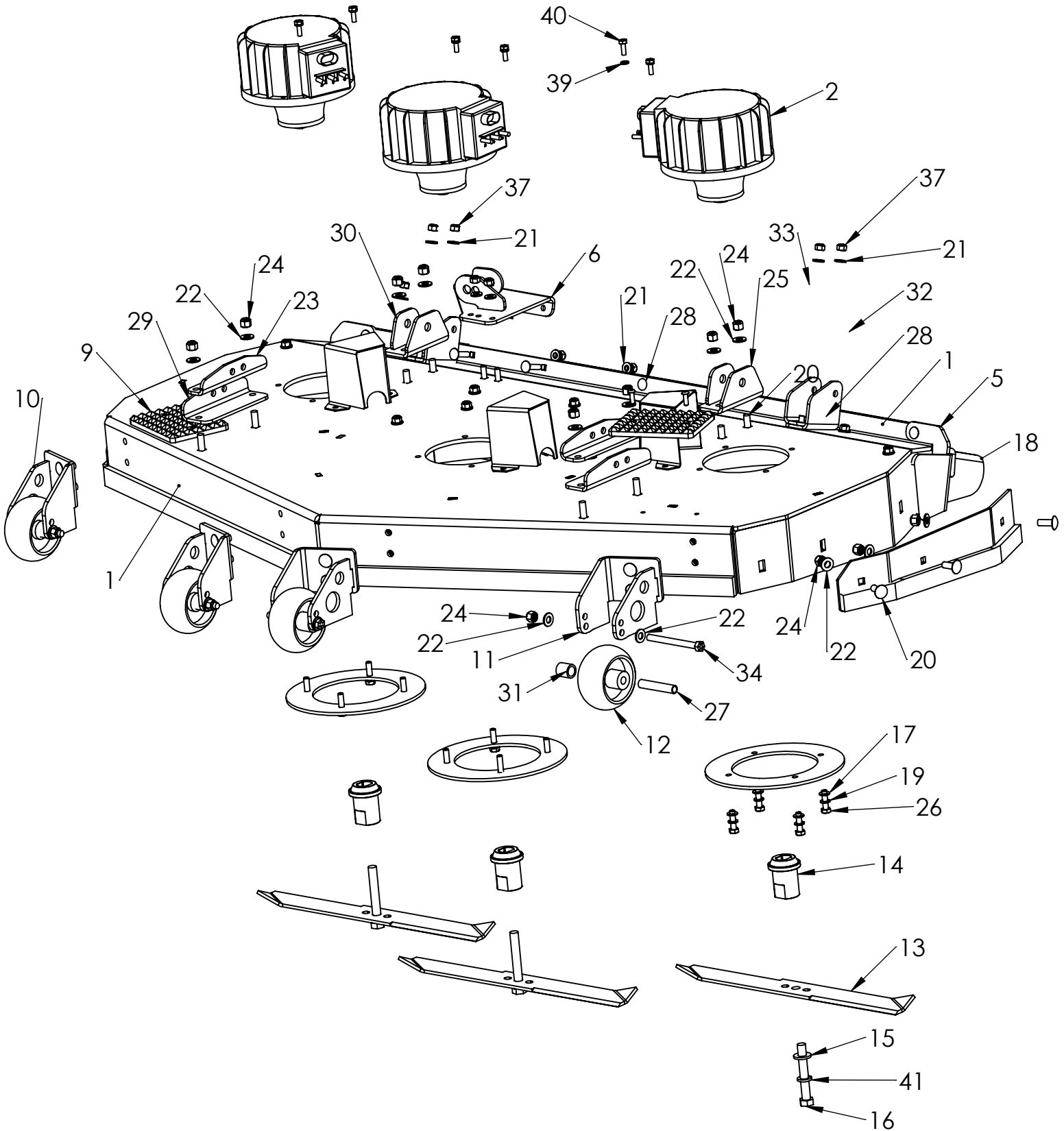


ITEM NO.	PART NUMBER	QTY.	DESCRIPTION
1	AMGRVL07 / AMGRVL08	1	DRIVE MOUNT-BASE FLANGE
2	MGUPN363	1	IMPULSE DRIVE GEARBOX
3	MGUPN340	1	24IN TIRE 14IN RIM
4	MGHDW231	5	M12 FLAT WASHER
5	MGHDW232	5	M12 SPLIT WASHER
10	MGHDW176	5	M12X1.5X35mm HHCS
7	MGUPN427	1	IMPULSE GEARBOX DISENGAGE PIN
8	MGHDW100	1	1/4-20x1/2 FT HHCS
9	MGUPN402	1	IMPULSE BRAKE DISENGAGE PLATE
10	MGELC095	1	IMPULSE DRIVE MOTOR
11	MGUPN426	1	IMPULSE DRIVE BRAKE
12	MGUPN426-2	1	IMPULSE DRIVE BRAKE SHAFT
13	MGUPN426-1	1	EVO DRIVE BRAKE SPRING

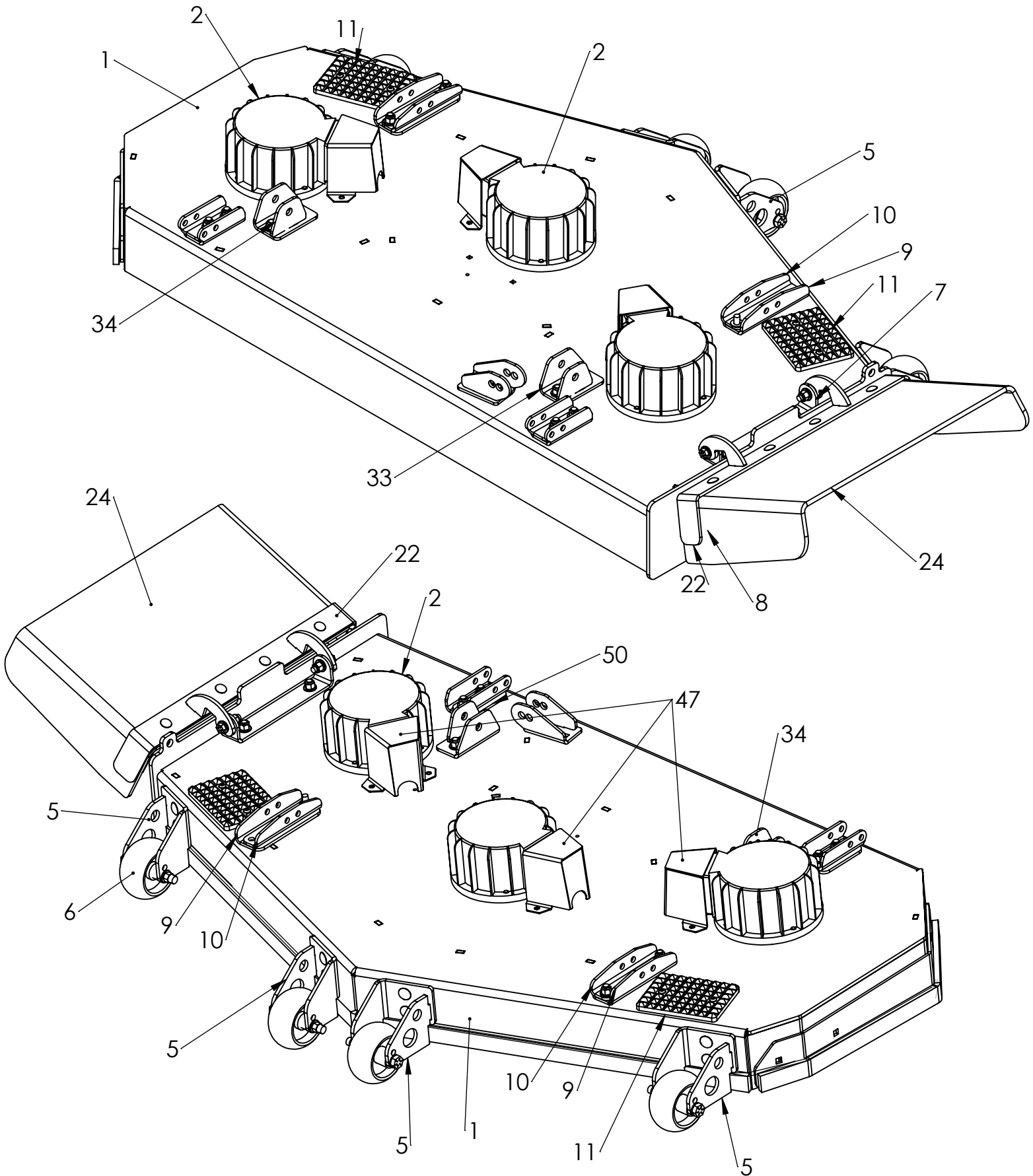


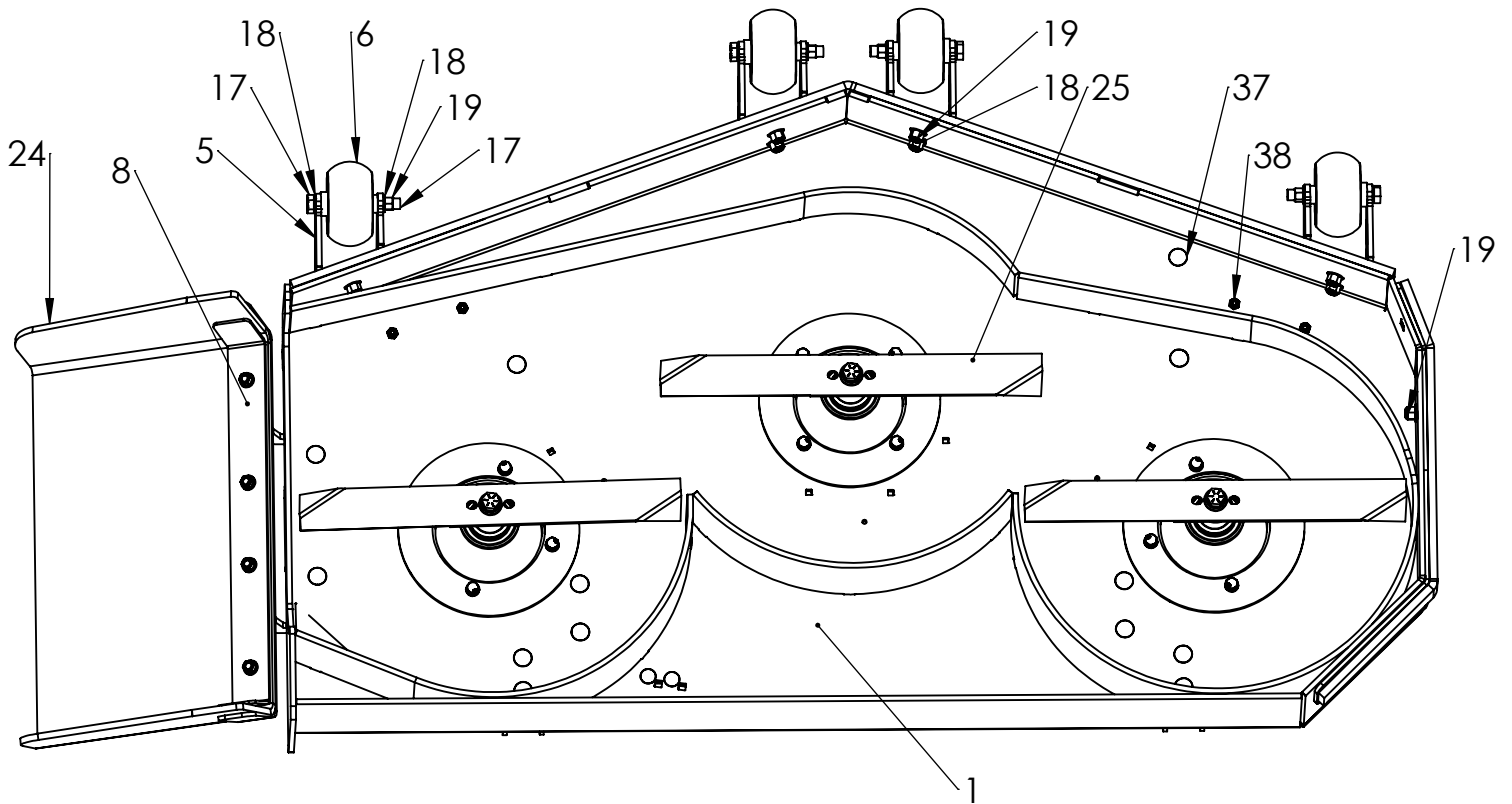
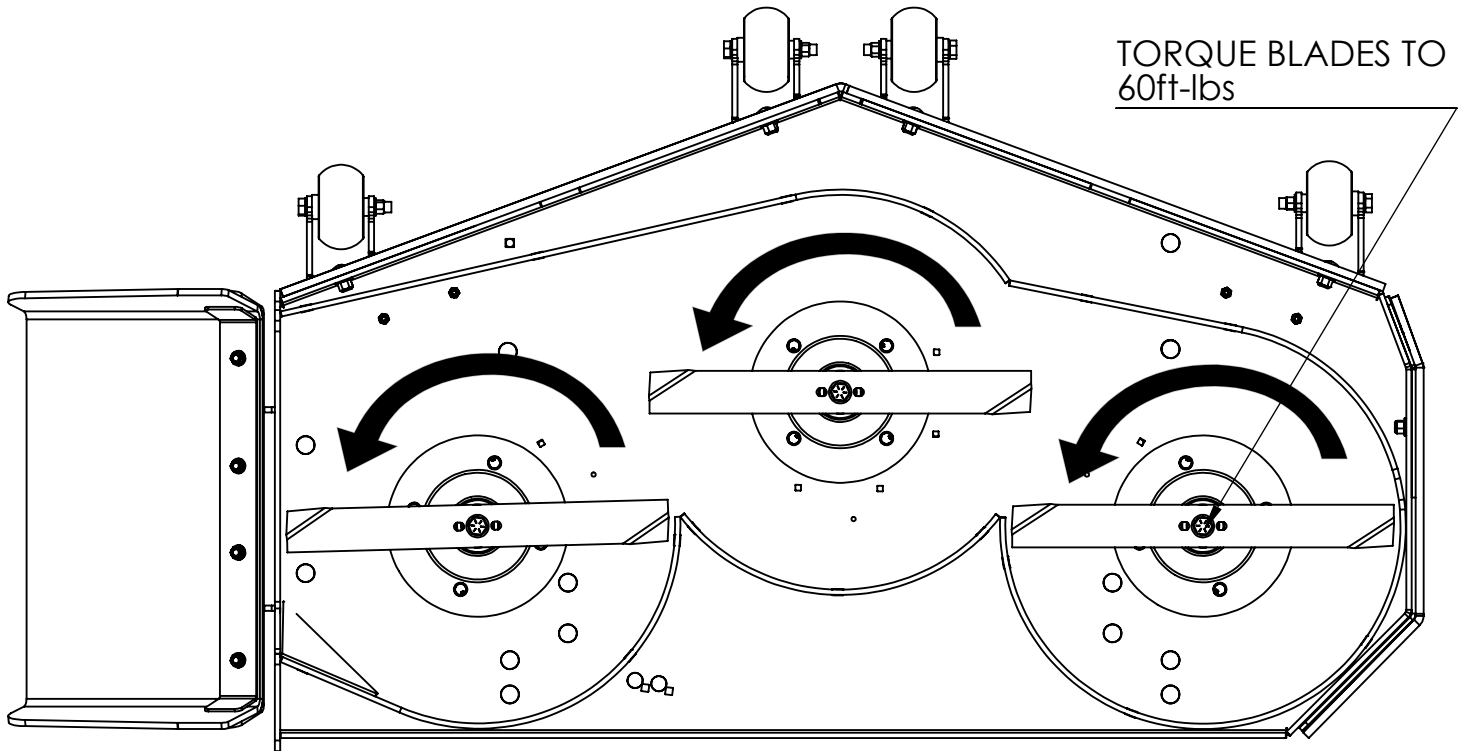
TORQUE BLADES TO
60ft-lbs



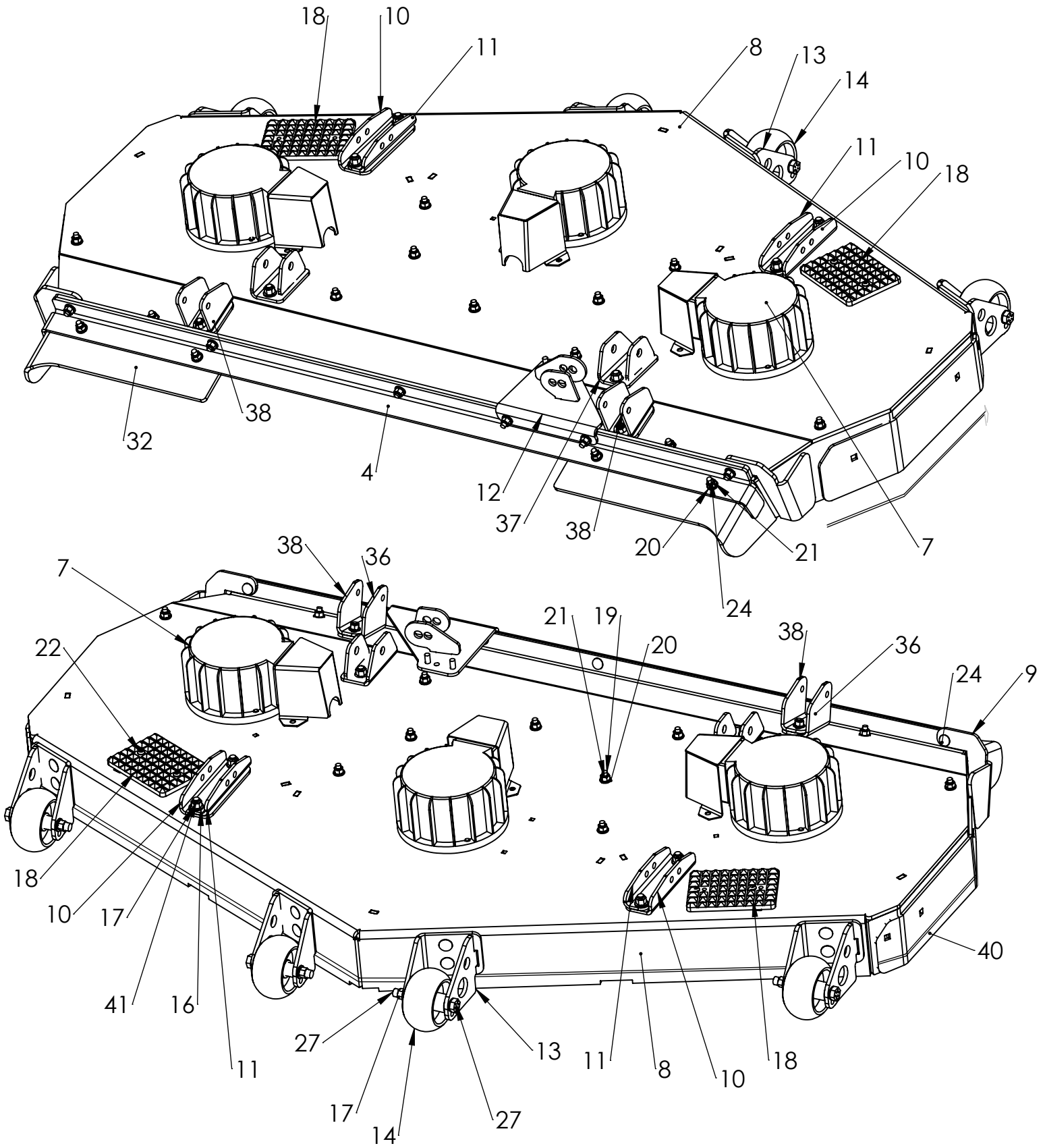


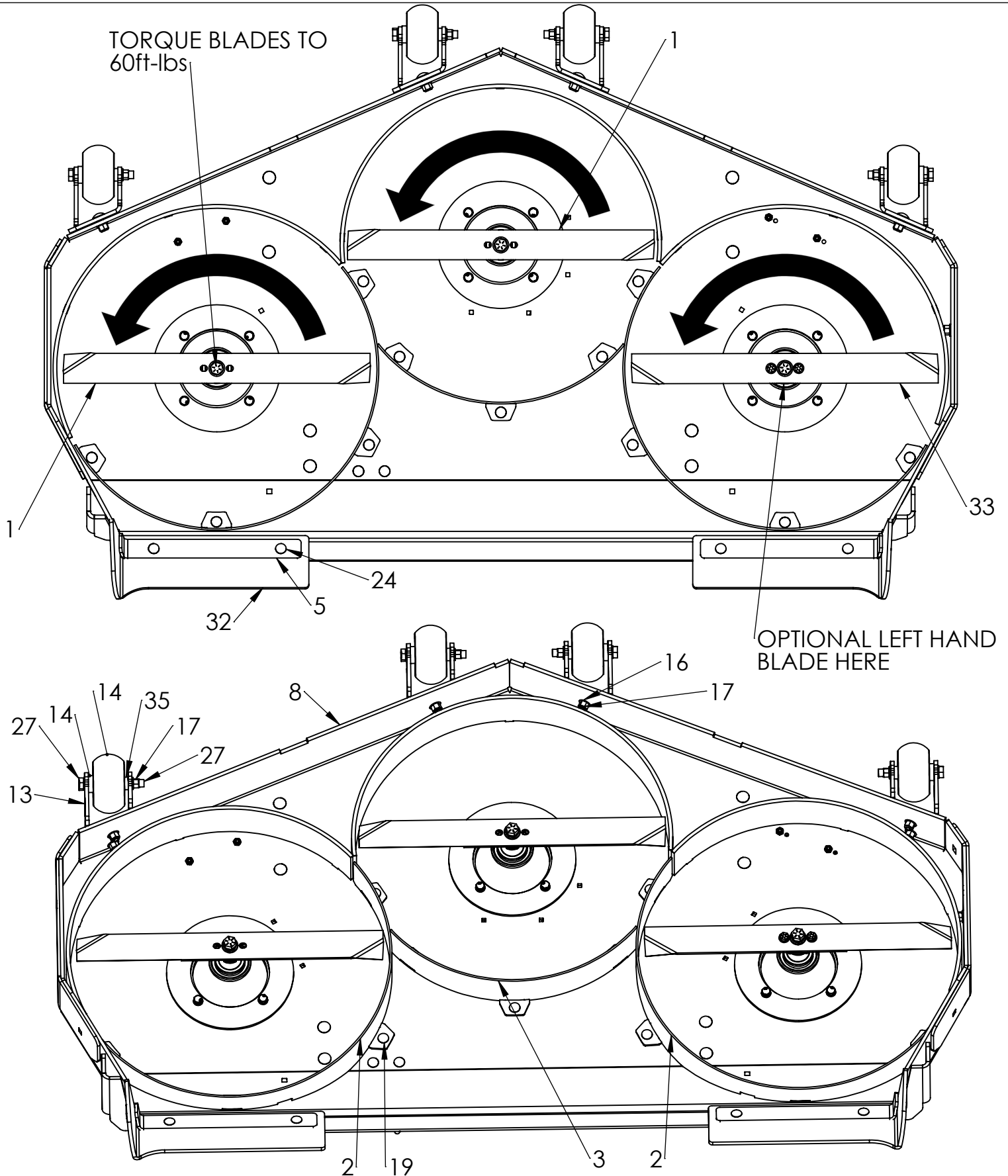
ITEM NO.	PART NUMBER	QTY.	DESCRIPTION
1	MGRVL52R01	1	MAIN DECK
2	MGELC016	3	HG BLADE MOTOR 2KW (SILVER)
3	MGRVL52R08M	1	MULCHING KIT CENTER BAFFLE
4	MGRVL52R07M	2	MULCHING KIT RIGHT/LEFT BAFFLE
5	MGRVL52R05	2	DECK GUSSET
6	MGRVL061	1	CROSS STABILIZER MOUNT BASE TO DECK
7	MGMUP051	2	RUBBER BRACKET CLAMP
8	MGRVL52R06	1	RUBBER BRACKET
9	MGUPN092	2	PLASTIC-DECK STEP
10	MGMUP038	4	ANTI SCALP WHEEL BRACKET
11	MGMUP037	4	ANTI SCALP BRACKET-BENT
12	MGUPN022	4	ANTI-SCALP WHEEL 4"x2"
13	MGUPN103	3	18.00" RH BLADE 0.187" THK-CXR 52
14	MGUPN001	3	BLADE MOTOR ADAPTOR
15	MGHDW210	3	1/2 FLAT WASHER
16	MGHDW151	3	1/2-13x3-1/2 PT HHCS
17	MGHDW219	12	M8 FLAT WASHER
18	MGUPN154	2	52/60 REAR DISCHARGE
19	MGHDW217	12	M8 LOCK WASHER
20	MGHDW703	15	3/8-16x1.00 CB
21	MGHDW201	27	5/16 FLAT WASHER
22	MGHDW414	29	3/8 FLAT WASHER
23	MGRVL060-LH	2	FRONT CHAIN DECK MOUNT-TOP MOUNT
24	MGHDW305	25	3/8-16 NYLOCK
25	MGRVL057	2	DECK STABILIZER MOUNT-BENT
26	MGHDW169	12	M8x1.25x30 HHCS
27	MGUPN173	4	ANTI-SCALP WHEEL SPANNER
28	MGHDW707	19	5/16-18x1.00 CB
29	MGRVL059-LH	2	DECK CHAIN MOUNT
30	MGRVL058	2	STABILIZER DECK MOUNT-WELD TAB
31	MGUPN172	4	PLASTIC ANTI-SCALP WHEEL SPACER
32	MGRVL055	2	REAR DISCHARGE CHAIN MOUNT-BOTTOM
33	MGRVL056	2	REAR DISCHARGE CAHIN MOUNT-TOP
34	MGHDW131	4	3/8-16x4.00 PT HHCS
35	MGRVL52R09	1	SIDE BUMPER
36	MGHDW708	8	5/16-18x1-1/4 CB
37	MGHDW304	27	5/16-18 NYLOCK
38	90680A137	6	1/4-20x0.093-0.126 CAGE NUT
39	MGHDW213	6	1/4 LOCK WASHER
40	MGHDW101	6	1/4-20x3/4 FT HHCS
41	MGHDW216	3	1/2" LOCK WASHER
55	MGRVL055-SHORTENED	2	REAR DISCHARGE CHAIN MOUNT-BOTTOM

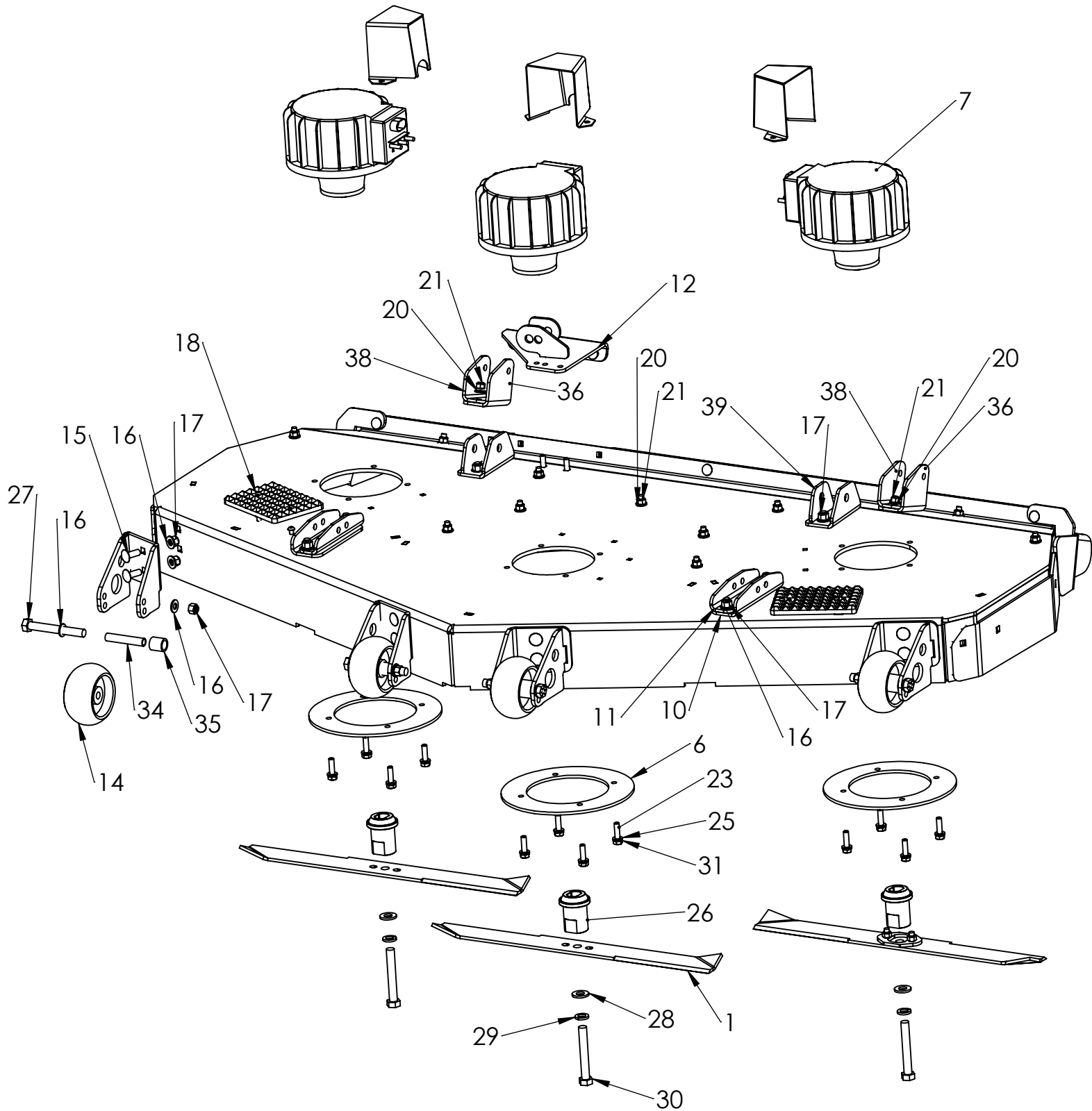




ITEM NO.	PART NUMBER	QTY.	DESCRIPTION
1	AMGRVL52S01	1	MAIN DECK
2	MGELC016	3	HG BLADE MOTOR 2KW (SILVER)
3	MGMUP021	3	MOTOR SUPPORT RING
4	MGMUP037	4	ANTI SCALP BRACKET-BENT
5	MGMUP038	4	ANTI SCALP WHEEL BRACKET
6	MGUPN022	4	ANTI-SCALP WHEEL 4"x2"
7	MGMUP039	1	CHUTE MOUNTING BRACKET
8	MGMUP042	1	OUTTER BOTTOM CHUTE BRACKET
9	MGRVL059-RH	2	FRONT CHAIN DECK MOUNT-BOTTOM
10	MGRVL060-RH	2	FRONT CHAIN DECK MOUNT-TOP MOUNT
11	MGUPN092	2	PLASTIC-DECK STEP
12	MGHDW219	12	M8 FLAT WASHER
13	MGHDW217	12	M8 LOCK WASHER
14	MGHDW169	12	M8x1.25x30 HHCS
15	MGUPN173	4	ANTI-SCALP WHEEL SPANNER
16	MGUPN172	4	PLASTIC ANTI-SCALP WHEEL SPACER
17	MGHDW153	4	1/2-13x4.00 PT HHCS, GR8 YZP
18	MGHDW414	34	3/8 FLAT WASHER
19	MGHDW305	27	3/8-16 NYLOCK
20	MGHDW201	6	5/16 FLAT WASHER
21	MGHDW703	14	3/8-16x1.00 CB
22	MGMUP041	1	OUTTER TOP CHUTE BRACKET
23	MGHDW707	6	5/16-18x1.00 CB
24	MGUPN059	1	CHUTE-52/60 SIDE DISCHARGE
25	MGUPN103	3	18.00" RH BLADE 0.187" THK-CXR 52
26	MGHDW210	3	1/2 FLAT WASHER
27	MGHDW216	3	1/2" LOCK WASHER
28	MGUPN001	3	BLADE MOTOR ADAPTOR
29	MGHDW123	2	3/8-16x1-1/2 PT HHCS
30	MGHDW214	4	3/8x3/4x0.065 NYLON WASHER
31	MGHDW151	3	1/2-13x3-1/2 PT HHCS
32	MGHDW203	4	3/8x1.00 O.D. NYLON FLAT WASHER
33	MGRVL057	2	DECK STABILIZER MOUNT-BENT
34	MGRVL058	2	STABILIZER DECK MOUNT-WELD TAB
35	MGRVL52S08	1	SIDE BUMPER
36	MGHDW319	4	3/16-18 TOP LOCK
47	AMGMUP06	3	DECK WIRE COVER
48	MGRVL066	2	REAR CHAIN DECK MOUNT-TOP
49	MGMUP055	1	CROSS STABILIZER DECK MOUNT TAB
50	MGRVL065	2	REAR CHAIN DECK MOUNT-BOTTOM

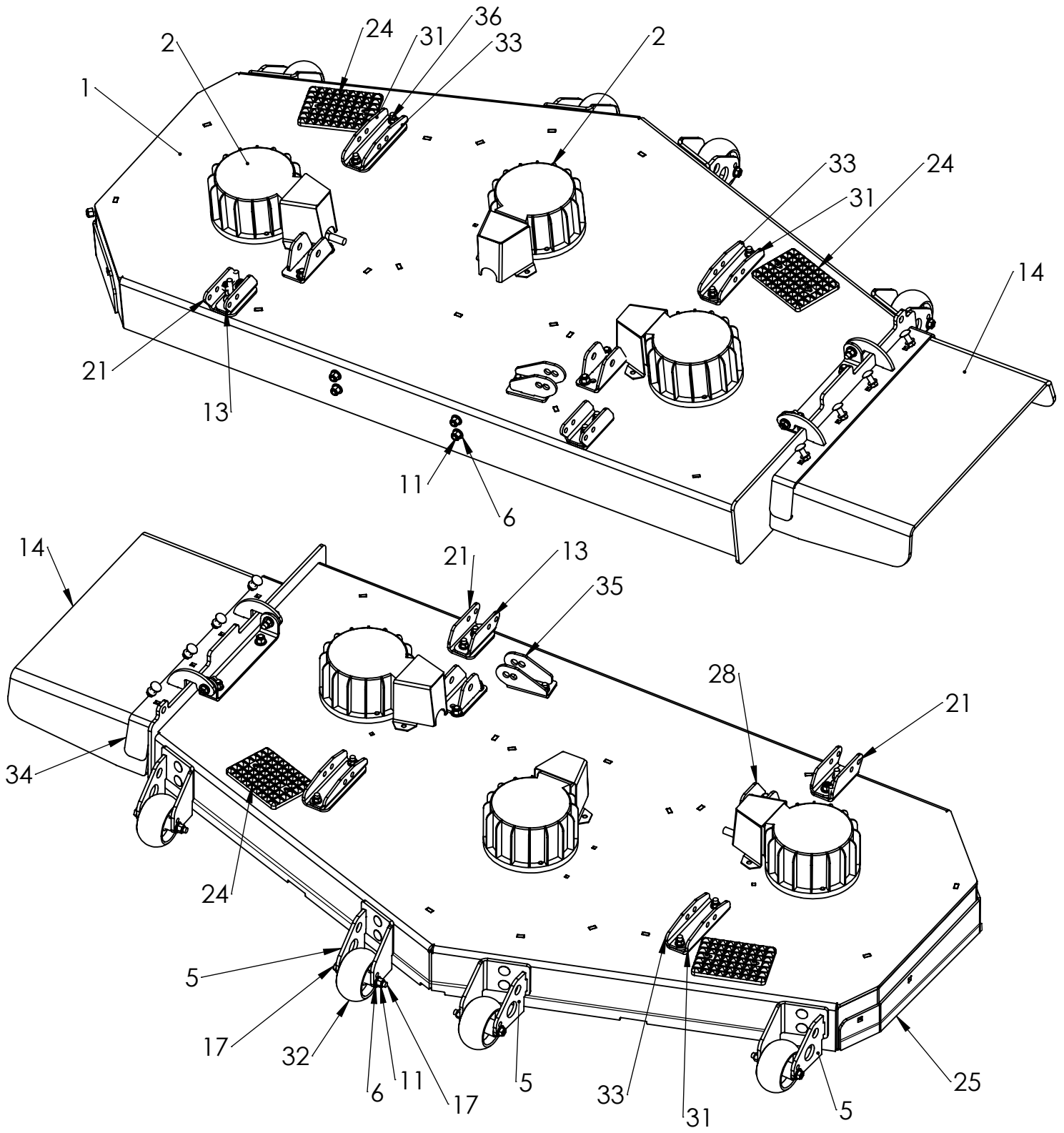


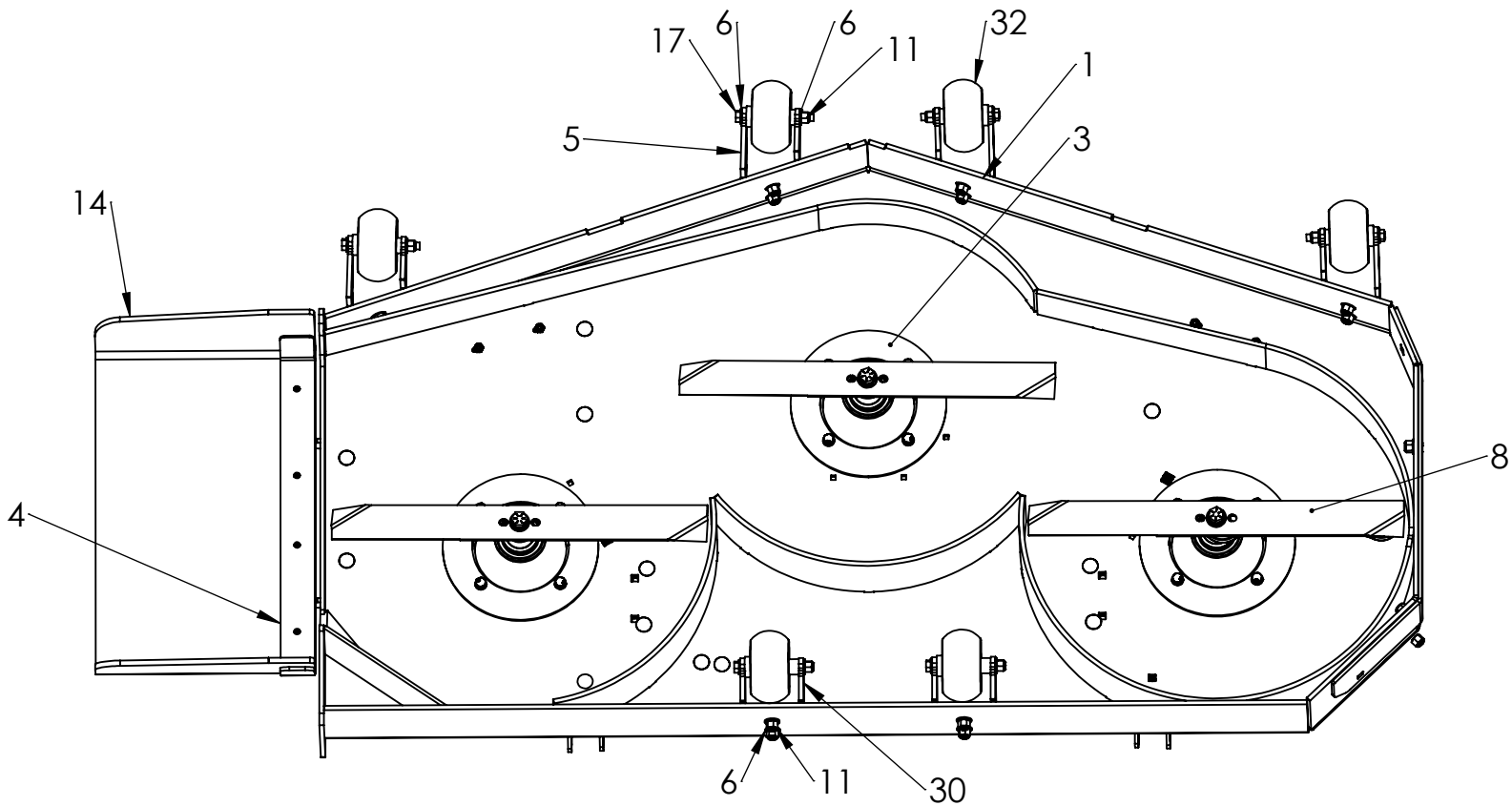
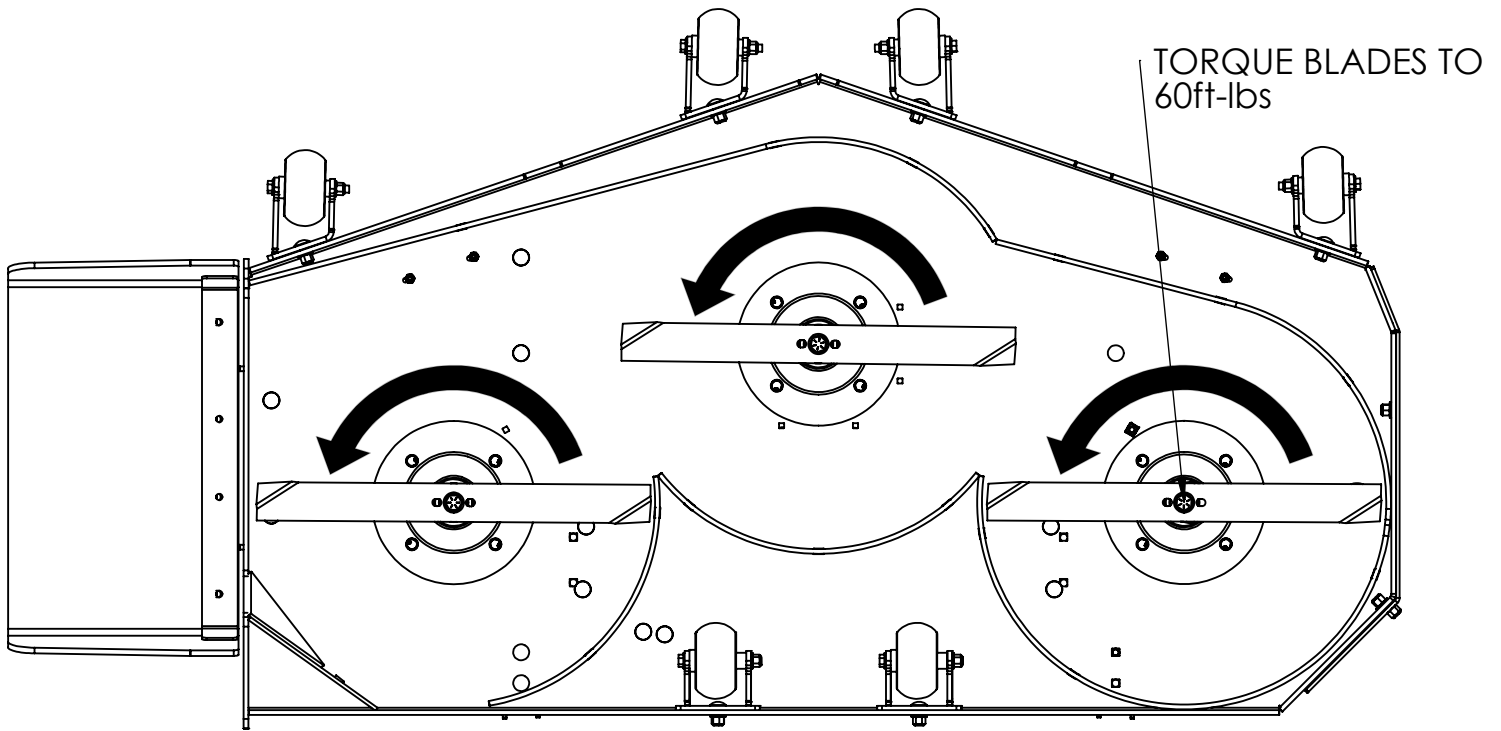


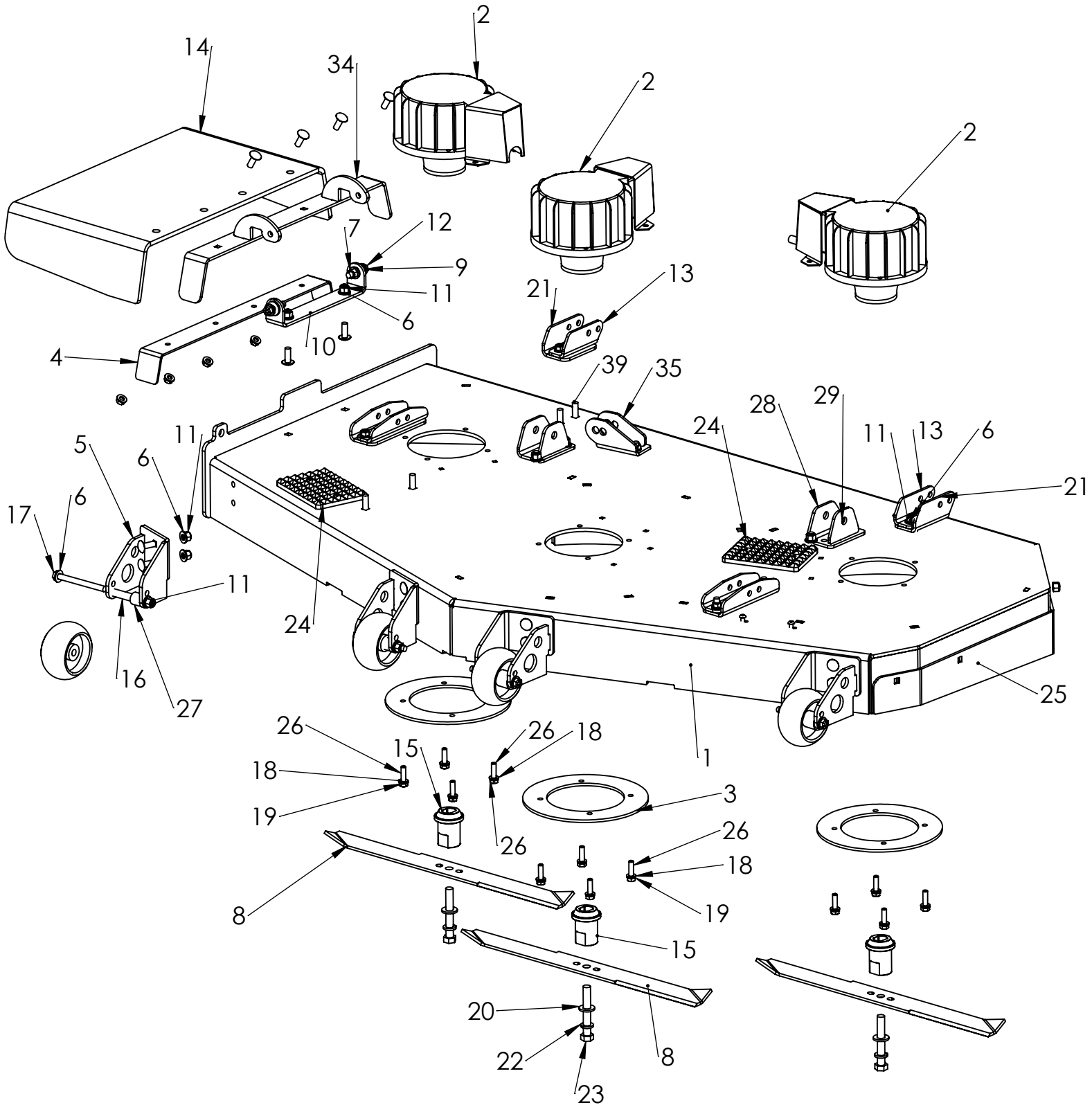


60RD DECK

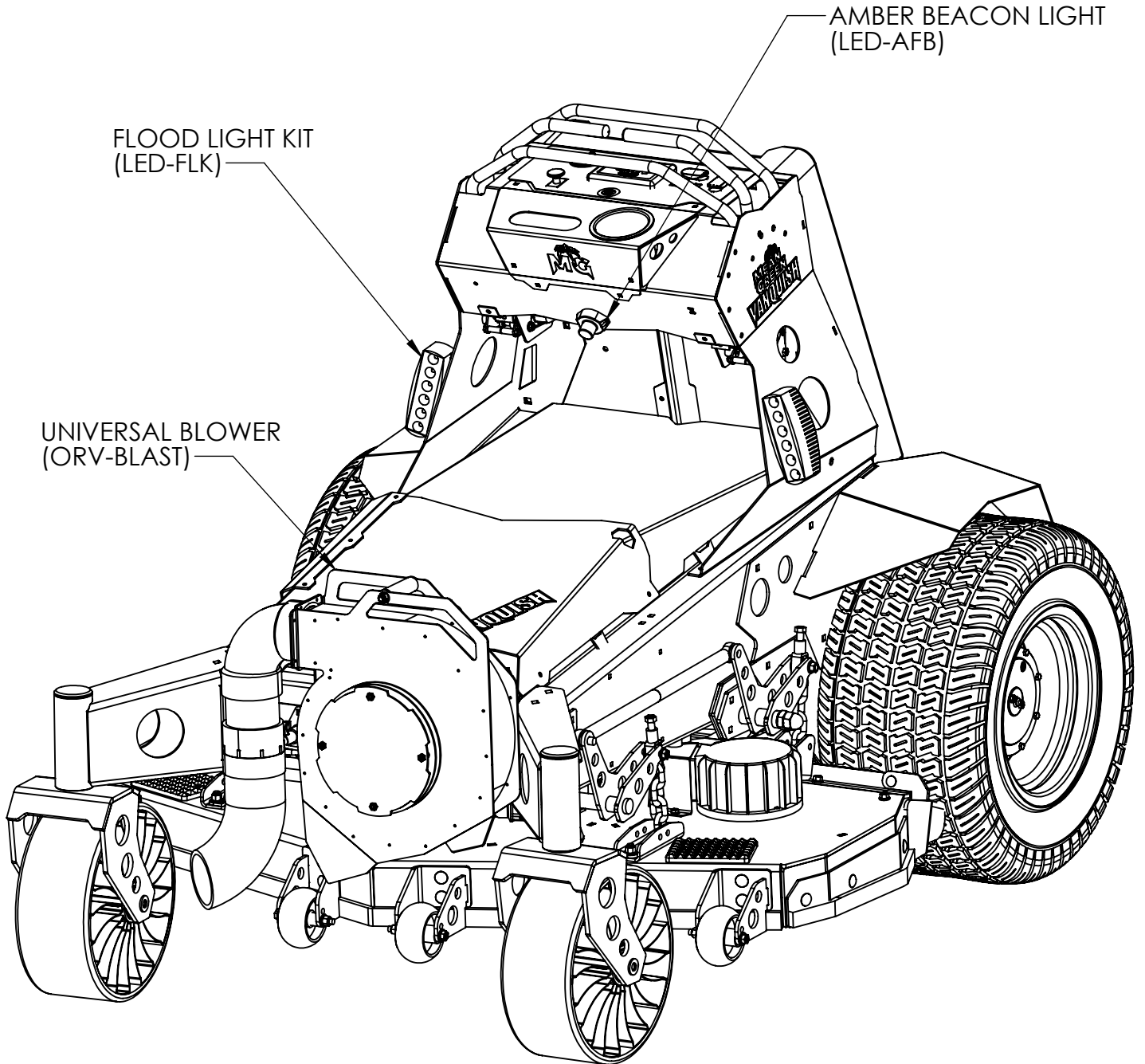
ITEM NO.	PART NUMBER	QTY.	DESCRIPTION
1	MGUPN107	2	20.60" RH BLADE 0.187" THK-CXR 60/RWB 52
2	MGRVL60R08M	2	60RD-REAR SIDE MULCH BAFFLE
3	MGRVL60R07M	1	60RD-REAR MIDDLE MULCH BAFFLE
4	MGRVL60R06	1	60RD-RUBBER BRACKET
5	MGMUP051	2	RUBBER BRACKET CLAMP
6	MGMUP021	3	MOTOR SUPPORT RING
7	MGELC016	3	HG BLADE MOTOR 2KW (SILVER)
8	MGRVL60R01	1	MIAN DECK-60RD
9	MGRVL60R04	2	RIVAL 60RD-GUSSET
10	MGRVL059-RH	2	FRONT CHAIN DECK MOUNT-BOTTOM
11	MGRVL060-RH	2	FRONT CHAIN DECK MOUNT-TOP MOUNT
12	MGRVL061	1	CROSS STABILIZER MOUNT BASE TO DECK
13	MGCXR60R11	6	ANTI SCALP BRACKET WELD TAB
14	MGUPN022	4	ANTI-SCALP WHEEL 4"x2"
15	MGHDW703	16	3/8-16x1.00 CB
16	MGHDW414	29	3/8 FLAT WASHER
17	MGHDW305	25	3/8-16 NYLOCK
18	MGUPN092	2	PLASTIC-DECK STEP
19	MGHDW707	25	5/16-18x1.00 CB
20	MGHDW201	33	5/16 FLAT WASHER
21	MGHDW304	33	5/16-18 NYLOCK
22	MGHDW605	4	1/4-20x3/4 BSCS
23	MGHDW169	12	M8x1.25x30 HHCS
24	MGHDW708	8	5/16-18x1-1/4 CB
25	MGHDW219	12	M8 FLAT WASHER
26	MGUPN001	3	BLADE MOTOR ADAPTOR
27	MGHDW153	4	1/2-13x4.00 PT HHCS, GR8 YZP
28	MGHDW210	3	1/2 FLAT WASHER
29	MGHDW216	3	1/2" LOCK WASHER
30	MGHDW151	3	1/2-13x3-1/2 PT HHCS
31	MGHDW217	12	M8 LOCK WASHER
32	MGUPN154	2	52/60 REAR DISCHARGE
33	MGUPN108	1	20.60" LH BLADE 0.187" THK-CXR 60
34	MGUPN173	4	ANTI-SCALP WHEEL SPANNER
35	MGUPN172	4	PLASTIC ANTI-SCALP WHEEL SPACER
36	MGRVL055	2	REAR DISCHARGE CHAIN MOUNT-BOTTOM
37	MGRVL057	2	DECK STABILIZER MOUNT-BENT
38	MGRVL056	2	REAR DISCHARGE CAHIN MOUNT-TOP
39	MGRVL058	2	STABILIZER DECK MOUNT-WELD TAB
40	MGRVL60R10	1	MOWER DECK SIDE BUMPERS
41	MGHDW705	4	3/8-16x1.25 CB







ITEM NO.	PART NUMBER	QTY.	DESCRIPTION
1	MGRVL60S01	1	MAIN DECK-60SD
2	MGELC016	3	HG BLADE MOTOR 2KW (SILVER)
3	MGMUP021	3	MOTOR SUPPORT RING
4	MGMUP042	1	OUTTER BOTTOM CHUTE BRACKET
5	MGMUP038	4	ANTI SCALP WHEEL BRACKET
6	MGHDW414	38	3/8 FLAT WASHER
7	MGHDW317	2	3/8-16 TOP LOCK
8	MGUPN107	3	20.60" RH BLADE 0.187" THK-CXR 60/RWB 52
9	MGHDW214	4	3/8x3/4x0.065 NYLON WASHER
10	MGMUP039	1	CHUTE MOUNTING BRACKET
11	MGHDW305	29	3/8-16 NYLOCK
12	MGHDW123	2	3/8-16x1-1/2 PT HHCS
13	MGRVL066	2	REAR CHAIN DECK MOUNT-TOP
14	MGUPN059	1	CHUTE-52/60 SIDE DISCHARGE
15	MGUPN001	3	BLADE MOTOR ADAPTOR
16	MGUPN173	6	ANTI-SCALP WHEEL SPANNER
17	MGHDW131	6	3/8-16x4.00 PT HHCS
18	MGHDW219	12	M8 FLAT WASHER
19	MGHDW217	12	M8 LOCK WASHER
20	MGHDW210	3	1/2 FLAT WASHER
21	MGRVL065	2	REAR CHAIN DECK MOUNT-BOTTOM
22	MGHDW216	3	1/2" LOCK WASHER
23	MGHDW151	3	1/2-13x3-1/2 PT HHCS
24	MGUPN092	2	PLASTIC-DECK STEP
25	MGRVL60S10	1	DECK SIDE BUMPER
26	MGHDW169	12	M8x1.25x30 HHCS
27	MGUPN172	6	PLASTIC ANTI-SCALP WHEEL SPACER
28	MGRVL057	2	DECK STABILIZER MOUNT-BENT
29	MGRVL058	2	STABILIZER DECK MOUNT-WELD TAB
30	MGMUP007	4	SCALP BRACKET
31	MGRVL059-RH	2	FRONT CHAIN DECK MOUNT-BOTTOM
32	MGUPN022	6	ANTI-SCALP WHEEL 4"x2"
33	MGRVL060-RH	2	FRONT CHAIN DECK MOUNT-TOP MOUNT
34	MGMUP041	1	OUTTER TOP CHUTE BRACKET
35	MGMUP055	1	CROSS STABILIZER DECK MOUNT TAB
36	MGHDW304	8	5/16-18 NYLOCK
39	MGHDW705	8	3/8-16x1.25 CB

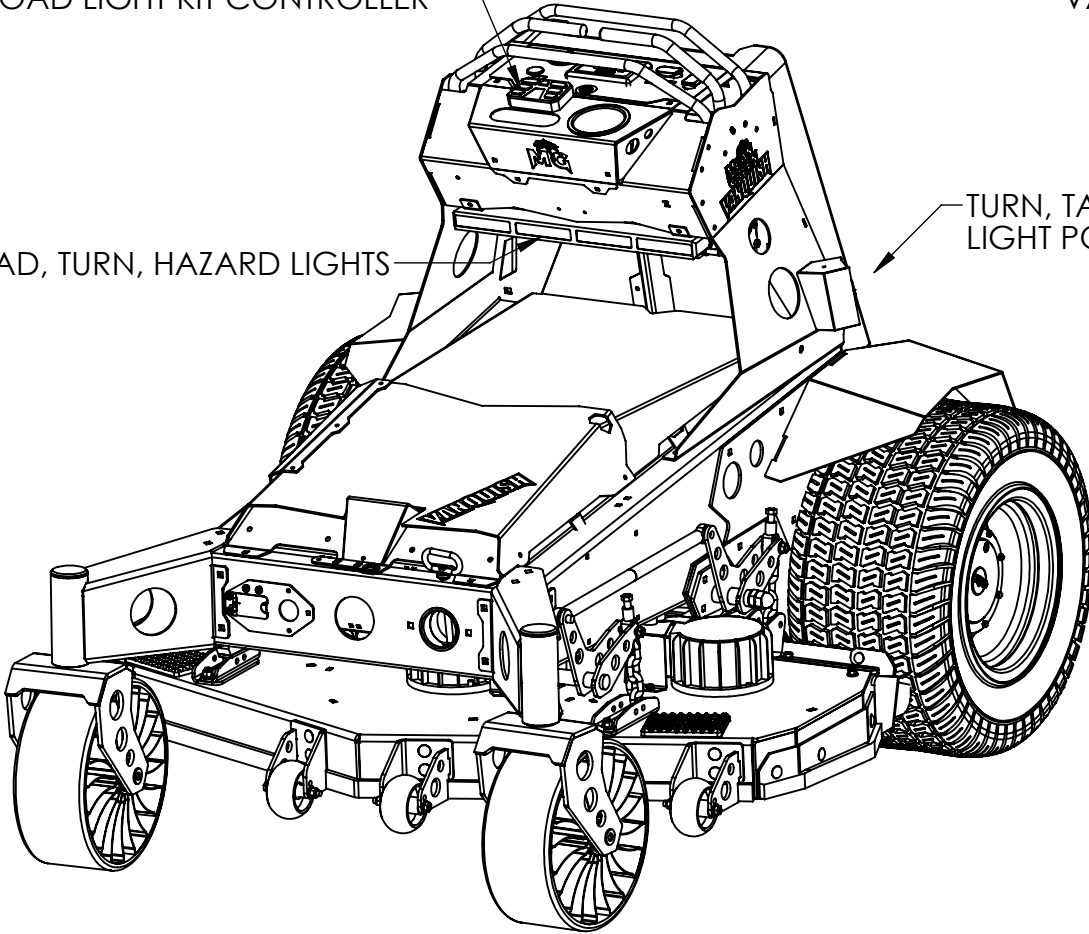


ROAD LIGHT KIT CONTROLLER

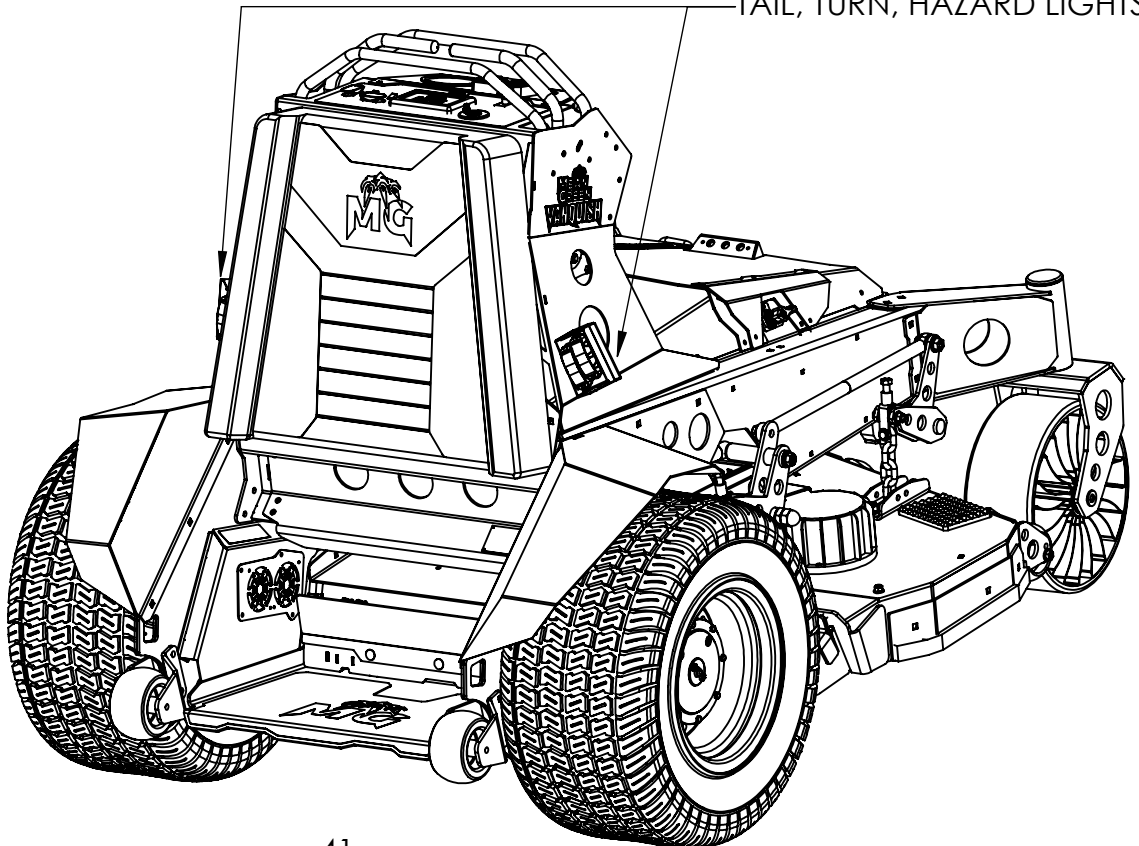
VANQUISH ROAD LIGHT KIT
(VQS-RLK)

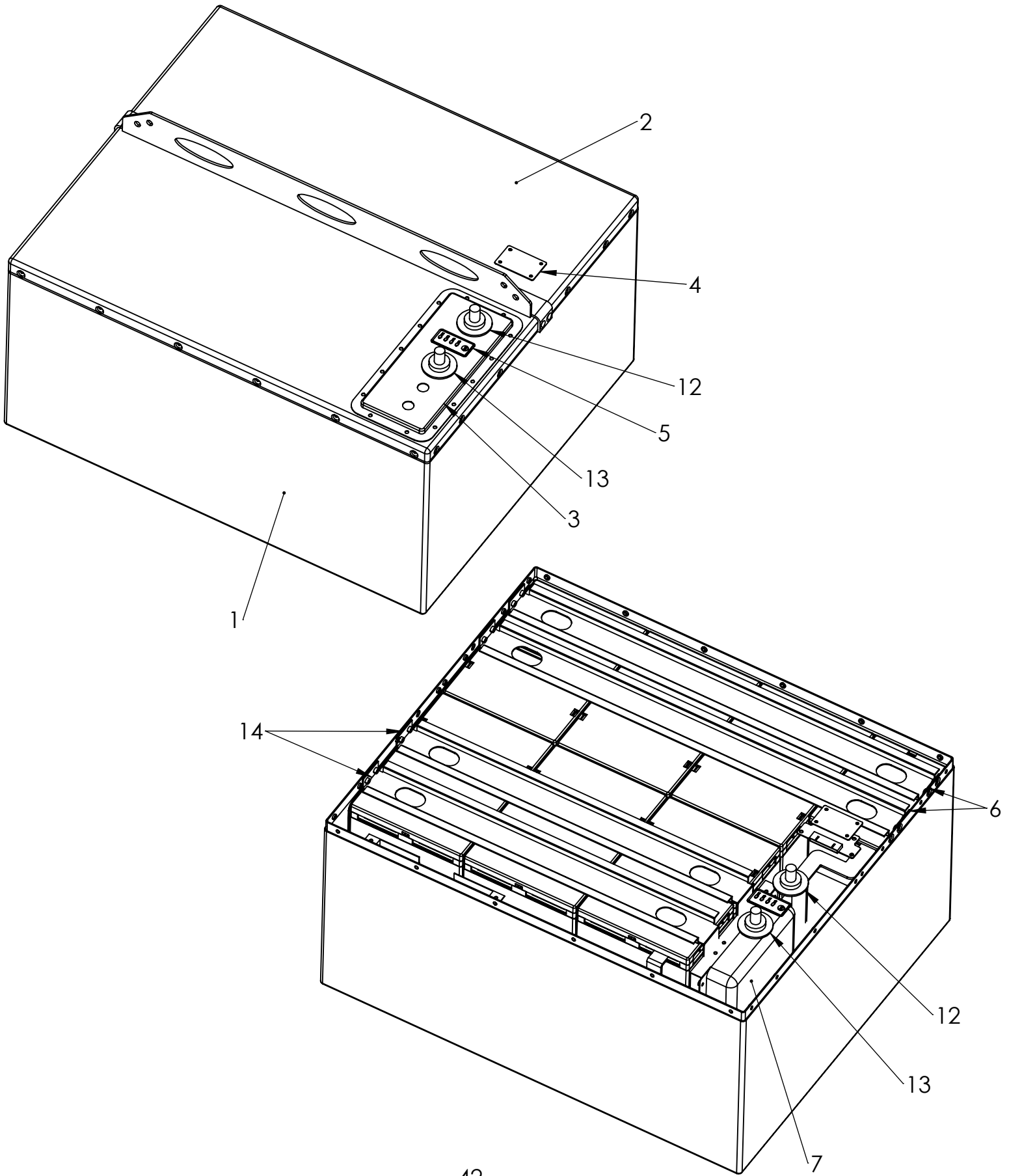
HEAD, TURN, HAZARD LIGHTS

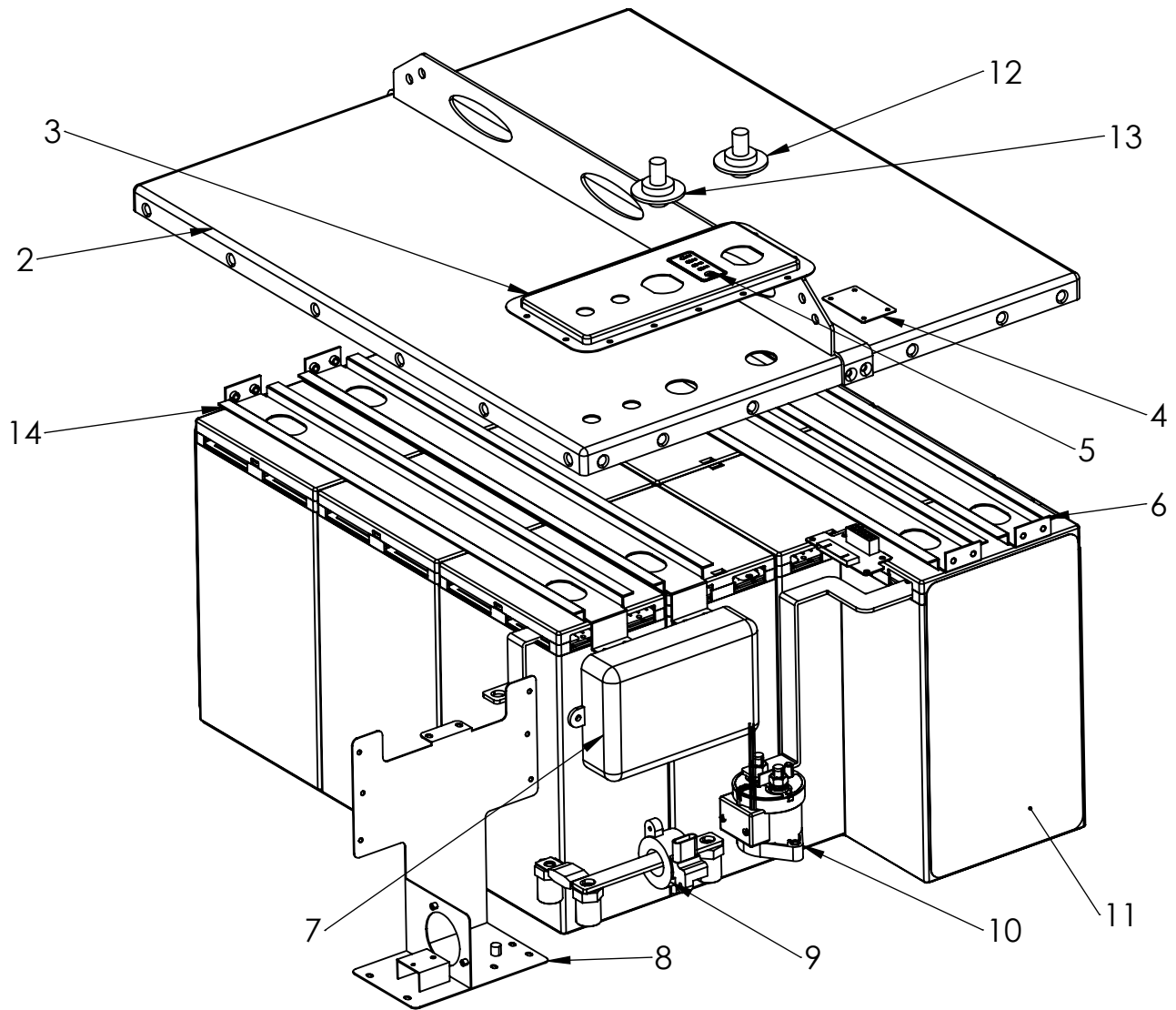
TURN, TAIL, HAZARD
LIGHT POD



TAIL, TURN, HAZARD LIGHTS







ITEM NO.	PART NUMBER	QTY.	DESCRIPTION
1	MGBAT001-1	1	RVL BATTERY BOX
2	MGBAT002-1	1	RVL TOP COVER
3	MGBAT003-1	1	RVL ACCESS COVER
4	MGBAT004-1	1	TEST PORT COVER
5	MGBAT005	1	SOC INDICATOR DECAL
6	MGBAT006-1	2	RVL BATTERY HOLD DOWN BRACKET 2
7	MGBAT007-1	1	RVL BMS
8	MGBAT008-1	1	RVL BMS BRACKET
9	MGBAT009	1	CURRENT SENSOR
10	MGBAT010	1	CONTACTOR
11	MGBAT011	1	BATTERY MODULE
12	MGBAT012	1	POWER LUG +
13	MGBAT013	1	POWER LUG -
14	MGBAT014-1	2	RVL BATTERY HOLD DOWN BRACKET 1